

D、MD、DG、DF

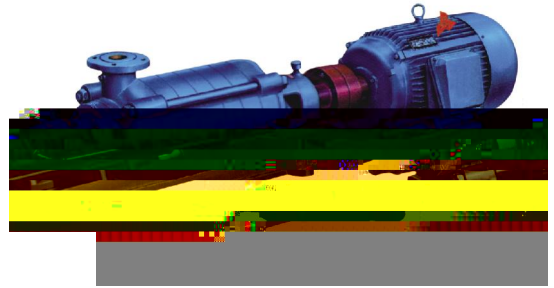
产品概述

D

CAD CFD

DG MD

DF

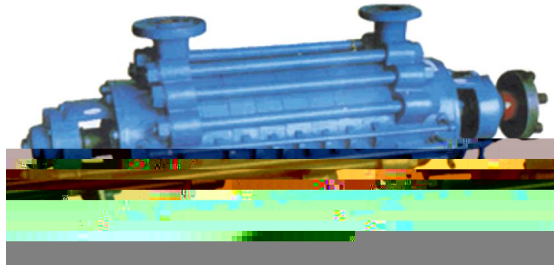


D、MD、DF

性能范围

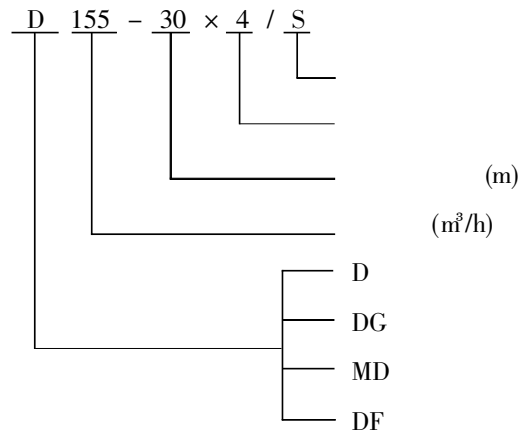
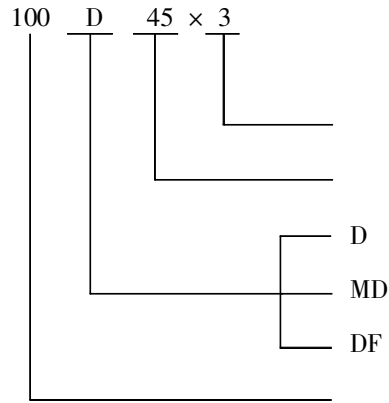
6.3-1450m³/h

17-1990m



DG

型号意义



结构说明

D、DG、MD、DF 等系列泵为卧式安装,吸入口水平(DG 垂直向上),排出口垂直向上。泵的吸入段、中段、吐出段用拉紧螺栓联结成一体。泵由吸入段、中段、吐出段、叶轮、轴、导叶、导叶套和平衡盘等主要零部件组成。转子的轴向力由平衡盘平衡,轴承采用滚动轴承,用润滑脂润滑。轴封采用填料密封或机械密封。在密封腔中通入有一定压力的水起水封作用。从驱动端方向看,泵为顺时针方向旋转。

主要用途

D

80℃

DG

104℃

MD

D

MD

1.5%(

0.5mm)

80℃

DF

-20℃-80℃

D、DG、MD、DF

Model	Stage	Capacity		Head (m)	Eff (%)	Speed (r/min)	Power (kW)	(NPSH) _r (m)	Model	Stage	Capacity		Head (m)	Eff (%)	Speed (r/min)	Power (kW)	(NPSH) _r (m)	
		(m ³ /h)	(L/s)								(m ³ /h)	(L/s)						
D6-25 DG6-25 MD6-25 DF6-25	2	3.75	1.04	51	33	2950	4.0	2.0	D12-50 DG12-50 MD12-50 DF12-50	5	9	2.5	275	34.5	2950	30	2.0	
		6.3	1.75	50	45			12.5			3.47	250	44.4	2.2				
		7.5	2.08	49	47			15			4.17	225	41	2.7				
	3	3.75	1.04	76.5	33		5.5	2.0			30	9	2.5	330		34.5	30	2.0
		6.3	1.75	75	45			12.5				3.47	300	44.4		2.2		
		7.5	2.08	73.5	47			15				4.17	270	41		2.7		
	4	3.75	1.04	102	33		7.5	2.0			37	9	2.5	385		34.5	37	2.0
		6.3	1.75	100	45			12.5				3.47	350	44.4		2.2		
		7.5	2.08	98	47			15				4.17	315	41		2.7		
	5	3.75	1.04	127.5	33		7.5	2.0			45	9	2.5	440		34.5	45	2.0
		6.3	1.75	125	45			12.5				3.47	400	44.4		2.2		
		7.5	2.08	122.5	47			15				4.17	360	41		2.7		
6	3.75	1.04	153	33	11	2.0	45	9	2.5	495	34.5	45	2.0					
	6.3	1.75	150	45		12.5		3.47	450	44.4	2.2							
	7.5	2.08	147	47		15		4.17	405	41	2.7							
7	3.75	1.04	178.5	33	11	2.0	55	9	2.5	550	34.5	55	2.0					
	6.3	1.75	175	45		12.5		3.47	500	44.4	2.2							
	7.5	2.08	171.5	47		15		4.17	450	41	2.7							
8	3.75	1.04	204	33	15	2.0	55	9	2.5	605	34.5	55	2.0					
	6.3	1.75	200	45		12.5		3.47	550	44.4	2.2							
	7.5	2.08	196	47		15		4.17	495	41	2.7							
9	3.75	1.04	229.5	33	15	2.0	75	9	2.5	660	34.5	75	2.0					
	6.3	1.75	225	45		12.5		3.47	600	44.4	2.2							
	7.5	2.08	220.5	47		15		4.17	540	41	2.7							
10	3.75	1.04	255	33	18.5	2.0	75	9	2.5	660	34.5	75	2.0					
	6.3	1.75	250	45		12.5		3.47	600	44.4	2.2							
	7.5	2.08	245	47		15		4.17	540	41	2.7							
11	3.75	1.04	280.5	33	18.5	2.0	75	9	2.5	605	34.5	75	2.0					
	6.3	1.75	275	45		12.5		3.47	550	44.4	2.2							
	7.5	2.08	269.5	47		15		4.17	495	41	2.7							
12	3.75	1.04	306	33	18.5	2.0	75	9	2.5	660	34.5	75	2.0					
	6.3	1.75	300	45		12.5		3.47	600	44.4	2.2							
	7.5	2.08	294	47		15		4.17	540	41	2.7							
D12-25 DG12-25 MD12-25 DF12-25	2	7.5	2.08	56.4	44	2950	5.5	2.0	D25-30 DG25-30 MD25-30 DF25-30	2	15	4.17	68	50	2950	11	2.2	
		12.5	3.47	50	54.1			25			6.94	60	62	2.2				
		15.0	4.17	46	53			30			8.33	55	63	2.6				
	3	7.5	2.08	84.6	44		7.5	2.0			15	15	4.17	102		50	15	2.2
		12.5	3.47	75	54.1			25				6.94	90	62		2.2		
		15.0	4.17	69	53			30				8.33	82.5	63		2.6		
	4	7.5	2.08	112.8	44		11	2.0			18.5	15	4.17	136		50	18.5	2.2
		12.5	3.47	100	54.1			25				6.94	120	62		2.2		
		15.0	4.17	92	53			30				8.33	110	63		2.6		
	5	7.5	2.08	141	44		11	2.0			22	15	4.17	170		50	22	2.2
		12.5	3.47	125	54.1			25				6.94	150	62		2.2		
		15.0	4.17	115	53			30				8.33	137.5	63		2.6		
6	7.5	2.08	169.2	44	15	2.0	22	15	4.17	204	50	22	2.2					
	12.5	3.47	150	54.1		25		6.94	180	62	2.2							
	15.0	4.17	138	53		30		8.33	165	63	2.6							
7	7.5	2.08	197.4	44	15	2.0	22	15	4.17	238	50	22	2.2					
	12.5	3.47	175	54.1		25		6.94	210	62	2.2							
	15.0	4.17	161	53		30		8.33	192.5	63	2.6							
8	7.5	2.08	225.6	44	18.5	2.0	22	15	4.17	272	50	22	2.2					
	12.5	3.47	200	54.1		25		6.94	240	62	2.2							
	15.0	4.17	184	53		30		8.33	220	63	2.6							
9	7.5	2.08	253.8	44	18.5	2.0	22	15	4.17	306	50	22	2.2					
	12.5	3.47	225	54.1		25		6.94	270	62	2.2							
	15.0	4.17	207	53		30		8.33	247.5	63	2.6							
10	7.5	2.08	282	44	22	2.0	22	15	4.17	340	50	22	2.2					
	12.5	3.47	250	54.1		25		6.94	300	62	2.2							
	15.0	4.17	230	53		30		8.33	275	63	2.6							
11	7.5	2.08	310.2	44	22	2.0	22	15	4.17	374	50	22	2.2					
	12.5	3.47	275	54.1		25		6.94	330	62	2.2							
	15.0	4.17	253	53		30		8.33	302.5	63	2.6							
12	7.5	2.08	338.4	44	30	2.0	22	15	4.17	408	50	22	2.2					
	12.5	3.47	300	54.1		25		6.94	360	62	2.2							
	15.0	4.17	276	53		30		8.33	330	63	2.6							
D12-50 DG12-50 MD12-50 DF12-50	2	9	2.5	110	34.5	2950	11	2.0	D25-50 DG25-50 MD25-50 DF25-50	2	15	4.17	113	38	2950	18.5	2	
		12.5	3.47	100	44.4			25			6.94	100	55.4	2.3				
		15	4.17	90	41			30			8.33	90	54	2				
	3	9	2.5	165	34.5		18.5	2.0			18.5	15	4.17	169		38	18.5	2
		12.5	3.47	150	44.4			25				6.94	150	55.4		2.3		
		15	4.17	135	41			30				8.33	135	54		2		
	4	9	2.5	220	34.5		22	2.0			22	15	4.17	224		38	22	2
		12.5	3.47	200	44.4			25				6.94	200	55.4		2.3		
		15	4.17	180	41			30				8.33	180	54		2		
	5	9	2.5	279	38		30	2.0			30	15	4.17	279		38	30	2
		12.5	3.47	250	55.4			25				6.94	250	55.4		2.3		
		15	4.17	225	54			30				8.33	225	54		2		
6	9	2.5	334	38	30	2.0	30	15	4.17	334	38	30	2					
	12.5	3.47	300	55.4		25		6.94	300	55.4	2.3							
	15	4.17	270	54		30		8.33	270	54	2							
7	9	2.5	389	38	30	2.0	30	15	4.17	389	38	30	2					
	12.5	3.47	350	55.4		25		6.94	350	55.4	2.3							
	15	4.17	315	54		30		8.33	315	54	2							
8	9	2.5	444	38	30	2.0	30	15	4.17	444	38	30	2					
	12.5	3.47	400	55.4		25		6.94	400	55.4	2.3							
	15	4.17	360	54		30		8.33	360	54	2							
9	9	2.5	499	38	30	2.0	30	15	4.17	499	38	30	2					
	12.5	3.47	450	55.4		25		6.94	450	55.4	2.3							
	15	4.17	405	54		30		8.33	405	54	2							

D、DG、MD、DF

Model	Stage	Capacity		Head (m)	Eff (%)	Speed (r/min)	Power (kW)	(NPSH) _r (m)	
		(m ³ /h)	(L/s)						
D25- 50	10	15	4.17	554	38	2950	75	2	
		25	6.94	500	55.4			2	
		30	8.33	450	54			2.3	
DG25- 50	11	15	4.17	609	38	2950	90	2	
25		6.94	550	55.4	2				
30		8.33	495	54	2.3				
MD25- 50	12	15	4.17	664	38	2950	90	2	
25		6.94	600	55.4	2				
30		8.33	540	54	2.3				
DF25- 50	12	15	4.17	664	38	2950	90	2	
25		6.94	600	55.4	2				
30		8.33	540	54	2.3				
D46- 30	2	30	8.33	68	64	2950	15	2.4	
		46	12.78	60	70			3.0	
		55	15.28	54	68			4.6	
	3	30	8.33	102	64		2950	22	2.4
		46	12.78	90	70				3.0
		55	15.28	81	68				4.6
	4	30	8.33	136	64		2950	30	2.4
		46	12.78	120	70				3.0
		55	15.28	108	68				4.6
	5	30	8.33	170	64		2950	37	2.4
		46	12.78	150	70				3.0
		55	15.28	135	68				4.6
6	30	8.33	204	64	2950	37	2.4		
	46	12.78	180	70			3.0		
	55	15.28	162	68			4.6		
DG46- 30	7	30	8.33	238	64	2950	45	2.4	
46		12.78	210	70	3.0				
55		15.28	189	68	4.6				
MD46- 30	8	30	8.33	274	64	2950	55	2.4	
46		12.78	240	70	3.0				
55		15.28	216	68	4.6				
DF46- 30	8	30	8.33	274	64	2950	55	2.4	
46		12.78	240	70	3.0				
55		15.28	216	68	4.6				
D46- 50	2	30	8.34	110	54	2950	30	2.5	
		46	12.78	100	64.2			2.8	
		55	15.3	92	64			3.2	
	3	30	8.34	166.5	54		2950	37	2.5
		46	12.78	150	64.2				2.8
		55	15.3	138	64				3.2
	4	30	8.34	222	54		2950	45	2.5
		46	12.78	200	64.2				2.8
		55	15.3	184	64				3.2
	5	30	8.34	277.5	54		2950	55	2.5
		46	12.78	250	64.2				2.8
		55	15.3	230	64				3.2
6	30	8.34	333	54	2950	75	2.5		
	46	12.78	300	64.2			2.8		
	55	15.3	276	64			3.2		
DG46- 50	7	30	8.34	388.5	54	2950	75	2.5	
46		12.78	350	64.2	2.8				
55		15.3	322	64	3.2				
MD46- 50	8	30	8.34	440	54	2950	90	2.5	
46		12.78	400	64.2	2.8				
55		15.3	368	64	3.2				
DF46- 50	8	30	8.34	440	54	2950	90	2.5	
46		12.78	400	64.2	2.8				
55		15.3	368	64	3.2				
9	30	8.34	499.5	54	2950	110	2.5		
	46	12.78	450	64.2			2.8		
	55	15.3	414	64			3.2		
10	30	8.34	555	54	2950	110	2.5		
	46	12.78	500	64.2			2.8		
	55	15.3	460	64			3.2		
11	30	8.34	610.5	54	2950	132	2.5		
	46	12.78	550	64.2			2.8		
	55	15.3	506	64			3.2		
12	30	8.34	666	54	2950	132	2.5		
	46	12.78	600	64.2			2.8		
	55	15.3	552	64			3.2		

Model	Stage	Capacity		Head (m)	Eff (%)	Speed (r/min)	Power (kW)	(NPSH) _r (m)				
		(m ³ /h)	(L/s)									
D46- 80	2	36	10	167	50	2950	45	3.9				
		46	12.78	160	58			4.0				
		62	17.22	136	56			5.5				
	3	36	10	251	50		2950	75	3.9			
		46	12.78	240	58				4.0			
		62	17.22	205	56				5.5			
	4	36	10	335	50			2950	90	3.9		
		46	12.78	320	58					4.0		
		62	17.22	273	56					5.5		
	5	36	10	418	50				2950	110	3.9	
		46	12.78	400	58						4.0	
		62	17.22	341	56						5.5	
6	36	10	502	50	2950	132				3.9		
	46	12.78	480	58						4.0		
	62	17.22	409	56						5.5		
DG46- 80	7	36	10	586		50	2950			160	3.9	
46		12.78	560	58		4.0						
62		17.22	477	56		5.5						
MD46- 80	8	36	10	669		50		2950		160	3.9	
46		12.78	640	58		4.0						
62		17.22	545	56		5.5						
DF46- 80	8	36	10	669		50			2950	160	3.9	
46		12.78	640	58		4.0						
62		17.22	545	56		5.5						
D60- 50	2	40	11.1	112	67	2950				30	4.0	
		60	16.67	100	73						4.0	
		72	20	90	71						4.0	
	3	40	11.1	168	67		2950			45	4.0	
		60	16.67	150	73						4.0	
		72	20	135	71						4.0	
	4	40	11.1	224	67			2950		55	4.0	
		60	16.67	200	73						4.0	
		72	20	180	71						4.0	
	5	40	11.1	280	67				2950	75	4.0	
		60	16.67	250	73						4.0	
		72	20	225	71						4.0	
DG60- 50	6	40	11.1	336	67	2950				90	4.0	
60		16.67	300	73	4.0							
72		20	270	71	4.0							
MD60- 50	7	40	11.1	392	67		2950			90	4.0	
60		16.67	350	73	4.0							
72		20	315	71	4.0							
DF60- 50	7	40	11.1	392	67			2950		90	4.0	
60		16.67	350	73	4.0							
72		20	315	71	4.0							
8	40	11.1	448	67	2950				110	4.0		
	60	16.67	400	73						4.0		
	72	20	360	71						4.0		
9	40	11.1	504	67		2950			132	4.0		
	60	16.67	450	73						4.0		
	72	20	405	71						4.0		
10	40	11.1	560	67			2950		160	4.0		
	60	16.67	500	73						4.0		
	72	20	450	71						4.0		
D85- 45	2	54	15	100				64	2950	37	2.4	
		85	23.6	90				72.4			3.0	
		97	27	80				71			4.6	
	3	54	15	150	64			2950		55	2.4	
		85	23.6	135	72.4						3.0	
		97	27	120	71						4.6	
	4	54	15	200	64	2950				75	2.4	
		85	23.6	180	72.4						3.0	
		97	27	160	71						4.6	
	DG85- 45	5	54	15	250		64			2950	90	2.4
	85		23.6	225	72.4		3.0					
	97		27	200	71		4.6					
MD85- 45	6	54	15	300	64		2950		110		2.4	
85		23.6	270	72.4	3.0							
97		27	240	71	4.6							
DF85- 45	6	54	15	300	64			2950	110		2.4	
85		23.6	270	72.4	3.0							
97		27	240	71	4.6							
7	54	15	350	64	2950	132			2.4			
	85	23.6	315	72.4					3.0			
	97	27	280	71					4.6			
(100D45)	8	54	15	400		64			2950	160	2.4	
85		23.6	360	72.4		3.0						
97		27	320	71		4.6						
9	54	15	450	64		2950	160			2.4		
	85	23.6	405	72.4						3.0		
	97	27	360	71						4.6		
10	54	15	500	64			2950	200		2.4		
	85	23.6	450	72.4						3.0		
	97	27	400	71						4.6		

D、DG、MD、DF

Model	Stage	Capacity		Head (m)	Eff (%)	Speed (r/min)	Power (kW)	(NPSH)r (m)	Model	Stage	Capacity		Head (m)	Eff (%)	Speed (r/min)	Power (kW)	(NPSH)r (m)	
		(m³/h)	(L/s)								(m³/h)	(L/s)						
D85-67 DG85-67 MD85-67 DF85-67	2	55	15.28	148	54	2950	75	3.3	MD100-145 D100-145 DG100-145 DF100-145	3	80	22.2	462	66	2950	220	3.8	
		85	23.61	134	69						100	27.8	435	68				4.2
		100	27.78	122	65						120	33.3	414	65				5.3
	3	55	15.28	222	54		90	3.3		4	80	22.2	616	66		315	3.8	
		85	23.61	201	69			100			27.8	580	68	4.2				
		100	27.78	183	65			120			33.3	552	65	5.3				
	4	55	15.28	296	54		110	3.3		5	80	22.2	770	66		355	3.8	
		85	23.61	268	69			100			27.8	725	68	4.2				
		100	27.78	244	65			120			33.3	690	65	5.3				
	5	55	15.28	370	54		132	3.3		6	80	22.2	924	66		450	3.8	
85		23.61	335	69	100	27.8		870	68		4.2							
100		27.78	305	65	120	33.3		828	65		5.3							
6	55	15.28	444	54	160	3.3	7	80	22.2	1078	66	500	3.8					
	85	23.61	402	69		100		27.8	1015	68	4.2							
	100	27.78	366	65		120		33.3	966	65	5.3							
7	55	15.28	518	54	200	3.3	8	80	22.2	1232	66	630	3.8					
	85	23.61	469	69		100		27.8	1160	68	4.2							
	100	27.78	427	65		120		33.3	1104	65	5.3							
8	55	15.28	592	54	220	3.3	9	80	22.2	1386	66	710	3.8					
	85	23.61	536	69		100		27.8	1305	68	4.2							
	100	27.78	488	65		120		33.3	1242	65	5.3							
9	55	15.28	666	54	250	3.3	10	80	22.2	1540	66	710	3.8					
	85	23.61	603	69		100		27.8	1450	68	4.2							
	100	27.78	549	65		120		33.3	1380	65	5.3							
10	55	15.28	740	54	315	3.3	11	80	22.2	1694	66	800	3.8					
	85	23.61	670	69		100		27.8	1595	68	4.2							
	100	27.78	610	65		120		33.3	1518	65	5.3							
D85-80 DG85-80 MD85-80 DF85-80	2	54	15.0	176	53	2950	75	4.2	MD110-20 D110-20 DG110-20 DF110-20	2	75	20.8	44	77.5	2950	22	3.6	
		85	23.6	160	67						110	30.6	40	36				77.5
		108	30.0	140	66						132	36.7	36	77.5				
	3	54	15.0	264	53		110	4.2		3	75	20.8	66	77.5		30	3.6	
		85	23.6	240	67			110			30.6	60	77.5					
		108	30.0	210	66			132			36.7	54	77.5					
	4	54	15.0	352	53		132	4.2		4	75	20.8	88	77.5		37	3.6	
		85	23.6	320	67			110			30.6	80	77.5					
		108	30.0	280	66			132			36.7	72	77.5					
	5	54	15.0	440	53		160	4.2		5	75	20.8	110	77.5		45	3.6	
		85	23.6	400	67			110			30.6	100	77.5					
		108	30.0	350	66			132			36.7	90	77.5					
6	54	15.0	528	53	200	4.2	6	75	20.8	132	77.5	55	3.6					
	85	23.6	480	67		110		30.6	120	77.5								
	108	30.0	420	66		132		36.7	108	77.5								
7	54	15.0	616	53	250	4.2	7	75	20.8	154	77.5	75	3.6					
	85	23.6	560	67		110		30.6	140	77.5								
	108	30.0	490	66		132		36.7	126	77.5								
8	54	15.0	704	53	280	4.2	8	75	20.8	176	77.5	75	3.6					
	85	23.6	640	67		110		30.6	160	77.5								
	108	30.0	560	66		132		36.7	144	77.5								
9	54	15.0	792	53	355	4.2	9	75	20.8	198	77.5	90	3.6					
	85	23.6	720	67		110		30.6	180	77.5								
	108	30.0	630	66		132		36.7	162	77.5								
10	54	15.0	880	53	355	4.2	2	96	26.7	110	73	2950	55	3.2				
	85	23.6	800	67		120		33.3	100	75.1								
	108	30.0	700	66		140		38.9	84.6	67.5								
11	54	15.0	968	53	400	4.2	3	96	26.7	165	73		90	3.2				
	85	23.6	880	67		120		33.3	150	75.1								
	108	30.0	770	66		140		38.9	126.9	67.5								
12	54	15.0	1056	53	400	4.2	4	96	26.7	220	73		110	3.2				
	85	23.6	960	67		120		33.3	200	75.1								
	108	30.0	840	66		140		38.9	169.2	67.5								
D100-50 DG100-50 MD100-50 DF100-50	2	70	19.4	109	68	1480	55	3.5	D120-50 DG120-50 MD120-50 DF120-50	5	96		26.7	275	73	2950	132	3.2
		100	27.8	100	73.5						120		33.3	250	75.1			
		120	33.3	90	71						140		38.9	211.5	67.5			
	3	70	19.4	163.5	68		75	3.5		6	96	26.7	330	73	160		3.2	
		100	27.8	150	73.5			120			33.3	300	75.1					
		120	33.3	136.5	71			140			38.9	253.8	67.5					
	4	70	19.4	218	68		90	3.5		7	96	26.7	385	73	200		3.2	
		100	27.8	200	73.5			120			33.3	350	75.1					
		120	33.3	180	71			140			38.9	296.1	67.5					
	5	70	19.4	272.5	68		110	3.5		8	96	26.7	440	73	200		3.2	
		100	27.8	250	73.5			120			33.3	400	75.1					
		120	33.3	227.5	71			140			38.9	378.4	67.5					
6	70	19.4	327	68	132	3.5	9	96	26.7	495	73	220	3.2					
	100	27.8	300	73.5		120		33.3	450	75.1								
	120	33.3	273	71		140		38.9	380.7	67.5								
7	70	19.4	381.5	68	160	3.5	2	120	33.3	550	73	2950	220	3.2				
	100	27.8	350	73.5		120		33.3	500	75.1								
	120	33.3	318.5	71		140		38.9	450	67.5								
8	70	19.4	436	68	185	3.5	3	120	33.3	605	73		315	3.2				
	100	27.8	400	73.5		120		33.3	555	75.1								
	120	33.3	364	71		140		38.9	505	67.5								
9	70	19.4	490.5	68	200	3.5	4	120	33.3	660	73		355	3.2				
	100	27.8	450	73.5		120		33.3	610	75.1								
	120	33.3	409.5	71		140		38.9	560	67.5								

D、DG、MD、DF

Model	Stage	Capacity		Head (m)	Eff (%)	Speed (r/min)	Power (kW)	(NPSH)r (m)	Model	Stage	Capacity		Head (m)	Eff (%)	Speed (r/min)	Power (kW)	(NPSH)r (m)
		(m³/h)	(L/s)								(m³/h)	(L/s)					
MD150-100 D150-100 DF150-100	2	95	26.4	210	63	2950	132	3.4	MD200-50 D200-50 DF200-50	2	140	55.6	109	69	1450	132	4.5
		150	41.7	197	71.2			100			77.9		5.7				
		180	50.0	171	67			91			75		6.0				
	3	95	26.4	315	63		200	3.4									
		150	41.7	295.5	71.2		200	4.8									
		180	50.0	256.5	67		240	5.5									
	4	95	26.4	420	63		280	3.4									
		150	41.7	394	71.2		280	4.8									
		180	50.0	342	67		240	5.5									
	5	95	26.4	525	63		355	3.4									
150		41.7	492.5	71.2	355	4.8											
180		50.0	427.5	67	240	5.5											
6	95	26.4	630	63	400	3.4											
	150	41.7	591	71.2	400	4.8											
	180	50.0	513	67	240	5.5											
7	95	26.4	735	63	500	3.4											
	150	41.7	689.5	71.2	500	4.8											
	180	50.0	598.5	67	240	5.5											
8	95	26.4	840	63	560	3.4											
	150	41.7	788	71.2	560	4.8											
	180	50.0	684	67	240	5.5											
9	95	26.4	945	63	630	3.4											
	150	41.7	886.5	71.2	630	4.8											
	180	50.0	769.5	67	240	5.5											
10	95	26.4	1050	63	710	3.4											
	150	41.7	985	71.2	710	4.8											
	180	50.0	855	67	240	5.5											
D155-30 DG155-30 MD155-30 DF155-30 (150D30)	2	100	27.8	65	64	1480	45	3.2	D216-25 MD216-25 DF216-25	2	150	55.6	59	72	1480	45	3.0
		155	43	60	75			216			60		50	78.2			3.4
		185	51.4	55	75			260			72.2		45	75			4.5
	3	100	27.8	97.5	64		75	3.2									
		155	43	90	75		75	3.9									
		185	51.4	82.5	75		260	4.8									
	4	100	27.8	130	64		90	3.2									
		155	43	120	75		90	3.9									
		185	51.4	110	75		260	4.8									
	5	100	27.8	162.5	64		110	3.2									
		155	43	150	75		110	3.9									
		185	51.4	137.5	75		260	4.8									
6	100	27.8	195	64	132	3.2											
	155	43	180	75	132	3.9											
	185	51.4	165	75	260	4.8											
7	100	27.8	227.5	64	160	3.2											
	155	43	210	75	160	3.9											
	185	51.4	192.5	75	260	4.8											
8	100	27.8	260	64	200	3.2											
	155	43	240	75	200	3.9											
	185	51.4	220	75	260	4.8											
9	100	27.8	292.5	64	200	3.2											
	155	43	270	75	200	3.9											
	185	51.4	247.5	75	260	4.8											
10	100	27.8	325	64	220	3.2											
	155	43	300	75	220	3.9											
	185	51.4	275	75	260	4.8											
11	100	27.8	357.5	64	250	3.2											
	155	43	330	75	250	3.9											
	185	51.4	302.5	75	260	4.8											
12	100	27.8	390	64	280	3.2											
	155	43	360	75	280	3.9											
	185	51.4	330	75	260	4.8											
D155-67 MD155-67 DF155-67 DG155-67	2	100	27.8	152	64	2950	90	3.2	D280-43 MD280-43 DF280-43 200D43	2	185	55.6	94	69	1480	110	3.0
		155	43	134	75			280			77.78		86	77.7			4.7
		185	51.4	118	72			335			93.06		76	75			6.0
	3	100	27.8	228	64		132	3.2									
		155	43	201	75		132	5.0									
		185	51.4	177	72		280	6.6									
	4	100	27.8	304	64		200	3.2									
		155	43	268	75		200	5.0									
		185	51.4	236	72		335	6.6									
	5	100	27.8	380	64		220	3.2									
155		43	335	75	220	5.0											
185		51.4	295	72	335	6.6											
6	100	27.8	465	64	280	3.2											
	155	43	402	75	280	5.0											
	185	51.4	354	72	335	6.6											
7	100	27.8	532	64	315	3.2											
	155	43	469	75	315	5.0											
	185	51.4	413	72	335	6.6											
8	100	27.8	608	64	355	3.2											
	155	43	536	75	355	5.0											
	185	51.4	472	72	335	6.6											
9	100	27.8	684	64	450	3.2											
	155	43	603	75	450	5.0											
	185	51.4	531	72	335	6.6											
10	100	27.8	760	64	500	3.2											
	155	43	670	75	500	5.0											
	185	51.4	590	72	335	6.6											

D、DG、MD、DF

Model	Stage	Capacity		Head (m)	Eff (%)	Speed (r/min)	Power (kW)	(NPSH)r (m)	Model	Stage	Capacity		Head (m)	Eff (%)	Speed (r/min)	Power (kW)	(NPSH)r (m)
		(m³/h)	(L/s)								(m³/h)	(L/s)					
D280-65 MD280-65 DF280-65 (200D65)	2	210	58.33	139.4	64	1480	200	2.2	D360-40	2	300	83.3	84	77	1480	132	4.65
		280	77.78	132.5	73.9						360	100	80	80.4			
		340	94.44	122.8	71						440	122.2	71	77			
	3	210	58.33	209.1	64		280	2.2									
		280	77.78	198.75	73.9			3.35									
		340	94.44	184.2	71			4.3									
	4	210	58.33	278.8	64		355	2.2									
		280	77.78	265	73.9			3.35									
		340	94.44	245.6	71			4.3									
	5	210	58.33	384.5	64		450	2.2									
		280	77.78	331.25	73.9			3.35									
340		94.44	307	71	4.3												
6	210	58.33	418.5	64	500	2.2											
	280	77.78	397.5	73.9		3.35											
	340	94.44	368.4	71		4.3											
7	210	58.33	487.5	64	630	2.2											
	280	77.78	463.75	73.9		3.35											
	340	94.44	429.8	71		4.3											
8	210	58.33	557.6	64	710	2.2											
	280	77.78	530	73.9		3.35											
	340	94.44	491.2	71		4.3											
9	210	58.33	627.3	64	800	2.2											
	280	77.78	596.25	73.9		3.35											
	340	94.44	552.6	71		4.3											
10	210	58.33	697	64	900	2.2											
	280	77.78	662.5	73.9		3.35											
	340	94.44	614	71		4.3											
11	210	58.33	766.7	64	1000	2.2											
	280	77.78	728.8	73.9		3.35											
	340	94.44	675.4	71		4.3											
D280-100 MD280-100 DF280-100	2	250	69.4	210	74	2950	250	5.1	D300-150	2	240	66.67	328	74	2950	450	5.0
		280	77.8	200	77						300	83.33	316	76			
		300	83.3	196	77						360	100	296	78			
	3	250	69.4	315	74		400	5.1									
		280	77.8	300	77			5.6									
		300	83.3	294	77			5.9									
	4	250	69.4	420	74		500	5.1									
		280	77.8	400	77			5.6									
		300	83.3	392	77			5.9									
	5	250	69.4	525	74		630	5.1									
		280	77.8	500	77			5.6									
300		83.3	490	77	5.9												
6	250	69.4	630	74	710	5.1											
	280	77.8	600	77		5.6											
	300	83.3	588	77		5.9											
7	250	69.4	735	74	900	5.1											
	280	77.8	700	77		5.6											
	300	83.3	686	77		5.9											
8	250	69.4	840	74	1000	5.1											
	280	77.8	800	77		5.6											
	300	83.3	784	77		5.9											
9	250	69.4	945	74	1120	5.1											
	280	77.8	900	77		5.6											
	300	83.3	882	77		5.9											
10	250	69.4	1050	74	1250	5.1											
	280	77.8	1000	77		5.6											
	300	83.3	980	77		5.9											
D300-65 MD300-65 DF300-65	2	240	66.7	136	74	1480	200	4	D420-93S	2	315	87.5	184	69	1480	315	3.0
		300	83.3	130	76						420	116.7	164	76			
		360	100	122	74						480	133.3	160	75			
	3	240	66.7	204	74		280	4									
		300	83.3	195	76			4.2									
		360	100	183	74			5									
	4	240	66.7	272	74		355	4									
		300	83.3	260	76			4.2									
		360	100	244	74			5									
	5	240	66.7	340	74		450	4									
		300	83.3	325	76			4.2									
360		100	305	74	5												
6	240	66.7	408	74	500	4											
	300	83.3	390	76		4.2											
	360	100	366	74		5											
7	240	66.7	476	74	630	4											
	300	83.3	455	76		4.2											
	360	100	427	74		5											
8	240	66.7	544	74	710	4											
	300	83.3	520	76		4.2											
	360	100	488	74		5											
9	240	66.7	612	74	800	4											
	300	83.3	585	76		4.2											
	360	100	549	74		5											
10	240	66.7	680	74	900	4											
	300	83.3	650	76		4.2											
	360	100	610	74		5											
11	240	66.7	748	74	1000	4											
	300	83.3	715	76		4.2											
	360	100	671	74		5											
D360-40 MD360-40 DF360-40	2	300	83.3	84	77	1480	200	2.2	D360-40	2	300	83.3	126	77	1480	185	4.65
		360	100	80	80.4						360	100	120	80.4			
		440	122.2	71	77						440	122.2	106.5	77			
	3	300	83.3	126	77		280	2.2									
		360	100	120	80.4			3.35									
		440	122.2	106.5	77			4.3									
	4	300	83.3	168	77		355	2.2									
		360	100	160	80.4			3.35									
		440	122.2	142	77			4.3									
	5	300	83.3	210	77		450	2.2									
		360	100	200	80.4			3.35									
440		122.2	177.5	77	4.3												
6	300	83.3	252	77	500	2.2											
	360	100	240	80.4		3.35											
	440	122.2	213	77		4.3											
7	300	83.3	294	77	630	2.2											
	360	100	280	80.4		3.35											
	440	122.2	248.5	77		4.3											
8	300	83.3	336	77	710	2.2											
	360	100	320	80.4		3.35											
	440	122.2	284	77		4.3											
9	300	83.3	378	77	800	2.2											
	360	100	360	80.4		3.35											
	440	122.2	319.5	77		4.3											
10	300	83.3	420	77	900	2.2											
	360	100	400	80.4		3.35											
	440	122.2	355	77		4.3											
D300-150 MD300-150 DF300-150	2	240	66.67	328	74	2950	250	5.1	D300-150	2	240	66.67	492	74	2950	630	5.0
		300	83.33	316	76						300	83.33	474	76			
		360	100	296	78						360	100	444	78			
	3	240	66.67	420	74		400	5.1									
		300	83.33	400	77			5.6									
		360	100	392	77			5.9									
	4	240	66.67	525	74		500	5.1									
		300	83.33	500	77			5.6									
		360	100	490	77			5.9									
	5	240	66.67	630	74		630	5.1									
		300	83.33	600	77			5.6									
360		100	588	77	5.9												
6	240	66.67	735	74	710	5.1											
	300	83.33	700	77		5.6											
	360	100	686	77		5.9											
7	240	66.67	840	74	900	5.1											
	300	83.33	800	77		5.6											
	360	100	784	77		5.9											
8	240	66.67	945	74	1000	5.1											
	300	83.33	900	77		5.6											
	360	100	882	77		5.9											
9	240	66.67	1050	74	1120	5.1											
	300	83.33	1000	77		5.6											
	360	100	980	77		5.9											
10	240	66.67	1155	74	1250	5.1											
	300	83.33	1100	77		5.6											
	360	100	1080	77		5.9											
D420-93S MD420-93S DF420-93S	2	315	87.5	184	69	1480	200	4	D420-93S	2	315	87.5	286	69	1480	450	3.0
		420	116.7	164	76						420	116.7	260	76			
		480	133.3	160	75						480	133.3	250	75			
	3	315	87.5	260	69		280	4									
		420	116.7	250	75			4.2									
		480	133.3	240	75			5									
	4	315	87.5	388	69		355	4									
		420	116.7	356	76			4.2									
		480	133.3	340	75			5									
	5	315	87.5	490	69		450	4									
		420	116.7	452	76			4.2									
480		133.3	430	75	5												
6	315	87.5	592	69	500	4											
	420	116.7	548	76		4.2											
	480	133.3	520	75		5											
7	315	87.5	690	69	630	4											
	420	116.7	644	76		4.2											
	480	133.3	610	75		5											
8	315	87.5	796	69	710	4											
	420	116.7	740	76		4.2											
	480	133.3	700	75		5											
9	315	87.5	898	69	800	4											
	420	116.7	836	76		4.2											
	480	133.3	790	75		5											
10	315	87.5	1000	69	800	4											
	420	116.7	932	76		4.2											
	480	133.3	880	75		5											
11	315	87.5	1102	69	900	4											
	420	116.7	1028	76		4.2											
	480	133.3	970	75		5											
12	315	87.5	1204	69	1000	4											
	420	116.7	1124	76		4.2											
	480	133.3	1060	75		5											

D、DG、MD、DF

Model	Stage	Capacity		Head (m)	Eff (%)	Speed (r/min)	Power (kW)	(NPSH) _r (m)	Model	Stage	Capacity		Head (m)	Eff (%)	Speed (r/min)	Power (kW)	(NPSH) _r (m)		
		(m ³ /h)	(L/s)								(m ³ /h)	(L/s)							
D450-60 MD450-60 DF450-60 (250D60)	2	335	93.1	130	72	1480	220	3.8	D600-65 MD600-65 DF600-65	2	450	125	140	74	1480	315	4.5		
		450	125	120	79.9			4.9			600	166.7	130	81.8			5.0		
		500	139	114	78			6.0			720	200	108	76			5.5		
	3	335	93.1	195	72		355	3.8		450	4.5	3	450	125		210	74	450	4.5
		450	125	180	79.9			4.9			600		166.7	195		81.8	5.0		
		500	139	171	78			6.0			720		200	162		76	5.5		
	4	335	93.1	260	72		500	3.8		630	4.5	4	450	125		280	74	630	4.5
		450	125	240	79.9			4.9			600		166.7	260		81.8	5.0		
		500	139	228	78			6.0			720		200	216		76	5.5		
	5	335	93.1	325	72		630	3.8		710	4.5	5	450	125		350	74	800	4.5
450		125	300	79.9	4.9	600		166.7	325		81.8		5.0						
500		139	285	78	6.0	720		200	270		76		5.5						
6	335	93.1	390	72	710	3.8	800	4.5	6	450	125	420	74	900	4.5				
	450	125	360	79.9		4.9		600		166.7	390	81.8	5.0						
	500	139	342	78		6.0		720		200	324	76	5.5						
7	335	93.1	455	72	800	3.8	900	4.5	7	450	125	490	74	1120	4.5				
	450	125	420	79.9		4.9		600		166.7	455	81.8	5.0						
	500	139	399	78		6.0		720		200	378	76	5.5						
8	335	93.1	520	72	900	3.8	1000	4.5	8	450	125	560	74	1250	4.5				
	450	125	480	79.9		4.9		600		166.7	520	81.8	5.0						
	500	139	456	78		6.0		720		200	432	76	5.5						
9	335	93.1	585	72	1000	3.8	1120	4.5	9	450	125	630	74	1400	4.5				
	450	125	540	79.9		4.9		600		166.7	585	81.8	5.0						
	500	139	513	78		6.0		720		200	486	76	5.5						
10	335	93.1	650	72	1120	3.8	1250	4.5	10	450	125	700	74	1600	4.5				
	450	125	600	79.9		4.9		600		166.7	650	81.8	5.0						
	500	139	570	78		6.0		720		200	540	76	5.5						
D580-60 MD580-60 DF580-60	3	450	125	198	79	1480	450	5	D720-60 MD720-60 DF720-60	2	550	153	132	76	1480	355	4.9		
		580	161	180	82			6			720	200	120	83.5			6.2		
		666	185	154	80			7.6			850	236	108	78.5			7.1		
	4	450	125	262	79		500	5		500	4.9	3	550	153		198	76	710	4.9
		580	161	240	82			6			720		200	180		83.5	6.2		
		666	185	205	80			7.6			850		236	162		78.5	7.1		
	5	450	125	325	79		630	5		800	4.9	4	550	153		264	76	900	4.9
		580	161	300	82			6			720		200	240		83.5	6.2		
		666	185	262	80			7.6			850		236	216		78.5	7.1		
	6	450	125	390	79		800	5		900	4.9	5	550	153		330	76	1120	4.9
580		161	360	82	6	720		200	300		83.5		6.2						
666		185	318	80	7.6	850		236	270		78.5		7.1						
7	450	125	454	79	900	5	1000	4.9	6	550	153	396	76	1250	4.9				
	580	161	420	82		6		720		200	360	83.5	6.2						
	666	185	374	80		7.6		850		236	324	78.5	7.1						
8	450	125	518	79	1000	5	1250	4.9	7	550	153	462	76	1400	4.9				
	580	161	480	82		6		720		200	420	83.5	6.2						
	666	185	438	80		7.6		850		236	378	78.5	7.1						
9	450	125	582	79	1250	5	1250	4.9	8	550	153	528	76	1600	4.9				
	580	161	540	82		6		720		200	480	83.5	6.2						
	666	185	502	80		7.6		850		236	432	78.5	7.1						
10	450	125	646	79	1250	5	1250	4.9	9	550	153	594	76	1800	4.9				
	580	161	600	82		6		720		200	540	83.5	6.2						
	666	185	558	80		7.6		850		236	486	78.5	7.1						
D500-57 MD500-57 DF500-57	2	375	125	120	72	1480	220	4.4	D800-60 MD800-60 DF800-60	2	600	167	132	76	1480	450	5.2		
		500	139	114	81.2			5			800	222	120	84			6.8		
		550	153	108	78			5.8			960	267	108	78.5			7.8		
	3	375	125	180	72		355	4.4		500	5.2	3	600	167		198	76	630	5.2
		500	139	171	81.2			5			800		222	180		84	6.8		
		550	153	162	78			5.8			960		267	162		78.5	7.8		
	4	375	125	240	72		500	4.4		630	5.2	4	600	167		264	76	800	5.2
		500	139	228	81.2			5			800		222	240		84	6.8		
		550	153	216	78			5.8			960		267	216		78.5	7.8		
	5	375	125	300	72		630	4.4		710	5.2	5	600	167		330	76	1000	5.2
		500	139	285	81.2			5			800		222	300		84	6.8		
550		153	270	78	5.8	960		267	270		78.5		7.8						
6	375	125	360	72	710	4.4	800	5.2	6	600	167	396	76	1250	5.2				
	500	139	342	81.2		5		800		222	360	84	6.8						
	550	153	324	78		5.8		960		267	324	78.5	7.8						
7	375	125	420	72	800	4.4	900	5.2	7	600	167	462	76	1400	5.2				
	500	139	399	81.2		5		800		222	420	84	6.8						
	550	153	378	78		5.8		960		267	378	78.5	7.8						
8	375	125	480	72	900	4.4	1000	5.2	8	600	167	528	76	1600	5.2				
	500	139	456	81.2		5		800		222	480	84	6.8						
	550	153	432	78		5.8		960		267	432	78.5	7.8						
9	375	125	540	72	1000	4.4	1120	5.2	9	600	167	594	76	1800	5.2				
	500	139	513	81.2		5		800		222	480	84	6.8						
	550	153	486	78		5.8		960		267	486	78.5	7.8						
10	375	125	600	72	1120	4.4	1250	5.2	10	600	167	660	76	2000	5.2				
	500	139	570	81.2		5		800		222	600	84	6.8						
	550	153	540	78		5.8		960		267	540	78.5	7.8						
11	375	125	660	72	1250	4.4	1250	5.2	11	600	167	660	76	2000	5.2				
	500	139	627	81.2		5		800		222	600	84	6.8						
	550	153	594	78		5.8		960		267	540	78.5	7.8						

D、DG、MD、DF

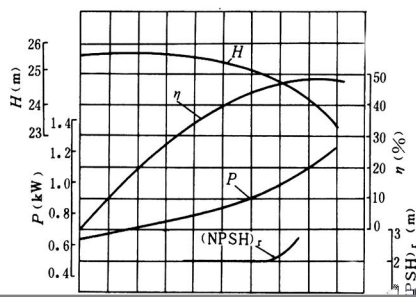
Model	Stage	Capacity		Head (m)	Eff (%)	Speed (r/min)	Power (kW)	(NPSH)r (m)		
		(m³/h)	(L/s)							
D800-70 MD800-70 DF800-70	2	600	167	154	76	1480	500	5.2		
		800	222	140	80			6.8		
		960	267	126	78.5			7.8		
	3	600	167	231	76		1480	710	5.2	
		800	222	210	80				6.8	
		960	267	189	78.5				7.8	
	4	600	167	308	76		1480	900	5.2	
		800	222	280	80				6.8	
		960	267	252	78.5				7.8	
5	600	167	385	76	1480	1120	5.2			
	800	222	350	80			6.8			
	960	267	315	78.5			7.8			
6	600	167	462	76	1480	1400	5.2			
	800	222	420	80			6.8			
	960	267	378	78.5			7.8			
7	600	167	539	76	1480	1600	5.2			
	800	222	490	80			6.8			
	960	267	441	78.5			7.8			
8	600	167	616	76	1480	1800	5.2			
	800	222	560	80			6.8			
	960	267	504	78.5			7.8			
9	600	167	693	76	1480	2000	5.2			
	800	222	630	80			6.8			
	960	267	567	78.5			7.8			
D1000-80/S MD1000-80/S DF1000-80/S	2	800	222.22	184	80	1480	630	4.3		
		1000	277.78	160	82			4.8		
		1160	322.22	130	80			5.5		
	3	800	222.22	276	80		1480	900	4.3	
		1000	277.78	240	82				4.8	
		1160	322.22	195	80				5.5	
	4	800	222.22	368	80			1480	1250	4.3
		1000	277.78	320	82					4.8
1160		322.22	260	80	5.5					
5	800	222.22	460	80	1480	1600			4.3	
	1000	277.78	400	82					4.8	
	1160	322.22	325	80			5.5			
6	800	222.22	552	80		1480	1800		4.3	
	1000	277.78	480	82					4.8	
	1160	322.22	390	80				5.5		
7	800	222.22	644	80			1480	2240	4.3	
	1000	277.78	560	82					4.8	
	1160	322.22	455	80	5.5					
8	800	222.22	736	80	1480			2500	4.3	
	1000	277.78	640	82					4.8	
	1160	322.22	520	80		5.5				
D1100-86/S MD1100-86/S DF1100-86/S	2	850	236	184		78		1480	800	4.4
		1100	305.6	172		80				4.9
		1300	361	156		78	5.6			
	3	850	236	276		78	1480		1120	4.4
		1100	305.6	258		80				4.9
		1300	361	234	78	5.6				
4	850	236	368	78	1480	1600		4.4		
	1100	305.6	344	80				4.9		
	1300	361	312	78				5.6		
5	850	236	460	78		1480	1800	4.4		
	1100	305.6	430	80				4.9		
	1300	361	390	78				5.6		
6	850	236	552	78	1480		2240	4.4		
	1100	305.6	516	80				4.9		
	1300	361	468	78				5.6		
D1000-80 MD1000-80 DF1000-80	2	800	222.22	184		80	1480	630	6.7	
		1000	277.78	160		82			7.6	
		1160	322.22	130		80			8.7	
	3	800	222.22	276	80	1480		900	6.7	
		1000	277.78	240	82				7.6	
		1160	322.22	195	80				8.7	
	4	800	222.22	368	80			1480	1250	6.7
		1000	277.78	320	82					7.6
1160		322.22	260	80	8.7					
5	800	222.22	460	80	1480		1600		6.7	
	1000	277.78	400	82					7.6	
	1160	322.22	325	80		8.7				
6	800	222.22	552	80		1480	1800		6.7	
	1000	277.78	480	82					7.6	
	1160	322.22	390	80				8.7		
7	800	222.22	644	80			1480	2240	6.7	
	1000	277.78	560	82					7.6	
	1160	322.22	455	80	8.7					
8	800	222.22	736	80	1480			2500	6.7	
	1000	277.78	640	82					7.6	
	1160	322.22	520	80		8.7				
D1250-80/S MD1250-80/S DF1250-80/S	2	1000	277.78	182		82		1480	800	4.6
		1250	347.22	160		85.3				5.1
		1450	402.77	134		81	5.8			
	3	1000	277.78	273		82	1480		1120	4.6
		1250	347.22	240		85.3				5.1
		1450	402.77	201	81	5.8				
	4	1000	277.78	364	82	1480			1600	4.6
		1250	347.22	320	85.3					5.1
		1450	402.77	268	81					5.8
5	1000	277.78	455	82	1480			1800	4.6	
	1250	347.22	400	85.3					5.1	
	1450	402.77	335	81					5.8	
6	1000	277.78	546	82			1480	2240	4.6	
	1250	347.22	480	85.3					5.1	
	1450	402.77	402	81					5.8	
7	1000	277.78	637	82		1480		2500	4.6	
	1250	347.22	560	85.3					5.1	
	1450	402.77	469	81					5.8	
8	1000	277.78	728	82	1480			3150	4.6	
	1250	347.22	640	85.3					5.1	
	1450	402.77	536	81					5.8	
D1250-80 MD1250-80 DF1250-80	2	1000	277.78	182			82	1480	800	7.5
		1250	347.22	160			85.3			8.1
		1450	402.77	128			82			9.6
	3	1000	277.78	273		82	1480		1120	7.5
		1250	347.22	240		85.3				8.1
		1450	402.77	192		82				9.6
	4	1000	277.78	364	82	1480			1600	7.5
		1250	347.22	320	85.3					8.1
1450		402.77	256	82	9.6					
5	1000	277.78	455	82	1480			1800	7.5	
	1250	347.22	400	85.3					8.1	
	1450	402.77	320	82			9.6			
6	1000	277.78	546	82			1480	2240	7.5	
	1250	347.22	480	85.3					8.1	
	1450	402.77	384	82		9.6				
7	1000	277.78	637	82		1480		2500	7.5	
	1250	347.22	560	85.3					8.1	
	1450	402.77	448	82	9.6					
8	1000	277.78	728	82	1480			3150	7.5	
	1250	347.22	640	85.3					8.1	
	1450	402.77	512	82			9.6			
80D12 80MD12 80DF12	2	21.6	6.0	28.8			69	2950	4	2.9
		34.6	9.6	22.8			75			3.0
		39.6	11	19		72	3.1			
	3	21.6	6.0	43.2		69	2950		5.5	2.9
		34.6	9.6	34.2		75				3.0
		39.6	11	27	72	3.1				
	4	21.6	6.0	57.6	69	2950			7.5	2.9
		34.6	9.6	45.6	75					3.0
		39.6	11	36	72					3.1
5	21.6	6.0	72	69	2950			11	2.9	
	34.6	9.6	57	75					3.0	
	39.6	11	45	72					3.1	
6	21.6	6.0	86.4	69			2950	11	2.9	
	34.6	9.6	68.4	75					3.0	
	39.6	11	54	72					3.1	
7	21.6	6.0	100.8	69		2950		15	2.9	
	34.6	9.6	79.8	75					3.0	
	39.6	11	63	72					3.1	
8	21.6	6.0	115.2	69	2950			15	2.9	
	34.6	9.6	91.2	75					3.0	
	39.6	11	72	72					3.1	
9	21.6	6.0	129.6	69			2950	18.5	2.9	
	34.6	9.6	102.6	75					3.0	
	39.6	11	81	72					3.1	

D、DG、MD、DF

Model	Stage	Capacity		Head (m)	Eff (%)	Speed (r/min)	Power (kW)	(NPSH) _r (m)
		(m ³ /h)	(L/s)					
80D30 80MD30 80DF30	2	23	6.38	68	54.5	2950	18.5	3
		43	11.93	60	67			4
		50	13.9	53.2	65.5			5
	3	23	6.38	102	54.5		22	3
		43	11.93	90.0	67			4
		50	13.9	79.8	65.5			5
	4	23	6.38	136	54.5		30	3
		43	11.93	120.0	67			4
		50	13.9	106.4	65.5			5
	5	23	6.38	170	54.5		30	3
43		11.93	150	67	4			
50		13.9	133	65.5	5			
6	23	6.38	204	54.5	37	3		
	43	11.93	180	67		4		
	50	13.9	159.6	65.5		5		
7	23	6.38	238	54.5	45	3		
	43	11.93	210	67		4		
	50	13.9	186.2	65.5		5		
8	23	6.38	272	54.5	55	3		
	43	11.93	240	67		4		
	50	13.9	212.8	65.5		5		
9	23	6.38	306	54.5	55	3		
	43	11.93	270	67		4		
	50	13.9	239.4	65.5		5		
10	23	6.38	34	54.5	75	3		
	43	11.93	300	67		4		
	50	13.9	266	65.5		5		
100D16 100MD16 100DF16	2	37.6	11	36.8	71	2950	7.5	3.0
		54	15	31	76			3.1
		72	20	20.4	66			3.4
	3	37.6	11	55.2	71		11	3.0
		54	15	46.5	76			3.1
		72	20	30.6	66			3.4
	4	37.6	11	73.6	71		15	3.0
		54	15	62	76			3.1
72		20	40.8	66	3.4			
5	37.6	11	92	71	18.5	3.0		
	54	15	77.5	76		3.1		
	72	20	51	66		3.4		
6	37.6	11	110.4	71	22	3.0		
	54	15	93	76		3.1		
	72	20	61.2	66		3.4		
7	37.6	11	128.8	71	30	3.0		
	54	15	108.5	76		3.1		
	72	20	71.4	66		3.4		
8	37.6	11	147.2	71	30	3.0		
	54	15	124	76		3.1		
	72	20	81.6	66		3.4		
9	37.6	11	165.6	71	37	3.0		
	54	15	139.6	76		3.1		
	72	20	91.8	66		3.4		

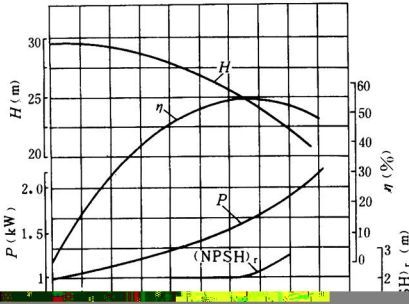
Model	Stage	Capacity		Head (m)	Eff (%)	Speed (r/min)	Power (kW)	(NPSH) _r (m)
		(m ³ /h)	(L/s)					
125D25 125MD25 125DF25	2	72	20	51.2	68	2950	18.5	3.0
		101	28	43.0	74.5			3.1
		119	33	35.0	71			3.4
	3	72	20	76.8	68		30	3.0
		101	28	64.5	74.5			3.1
		119	33	52.5	71			3.4
	4	72	20	102.4	68		37	3.0
		101	28	86.0	74.5			3.1
		119	33	70.0	71			3.4
5	72	20	128	68	45	3.0		
	101	28	107.5	74.5		3.1		
	119	33	87.5	71		3.4		
6	72	20	153.6	68	55	3.0		
	101	28	129.0	74.5		3.1		
	119	33	105.0	71		3.4		
7	72	20	179.2	68	75	3.0		
	101	28	150.5	74.5		3.1		
	119	33	122.5	71		3.4		
8	72	20	204.8	68	75	3.0		
	101	28	172.0	74.5		3.1		
	119	33	140.0	71		3.4		
9	72	20	230.4	68	90	3.0		
	101	28	193.5	74.5		3.1		
	119	33	157.5	71		3.4		

D、DG、MD、DF



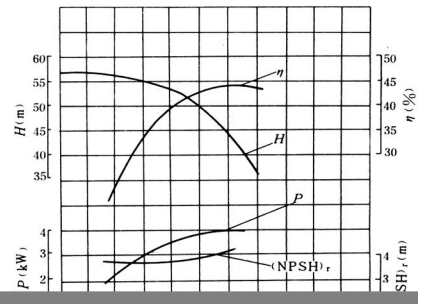
D6-25

(n=2950r/min)



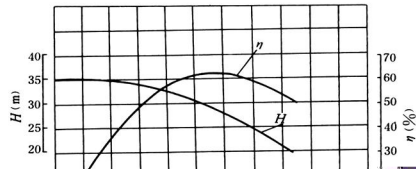
D12-25

(n=2950r/min)



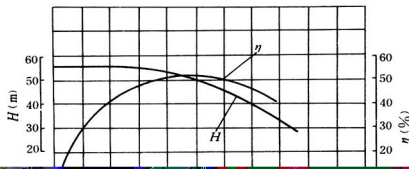
D12-50

(n=2950r/min)



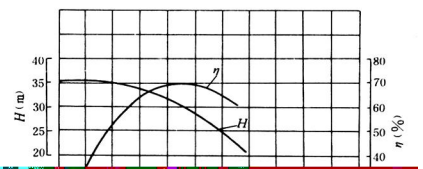
D25-30

(n=2950r/min)



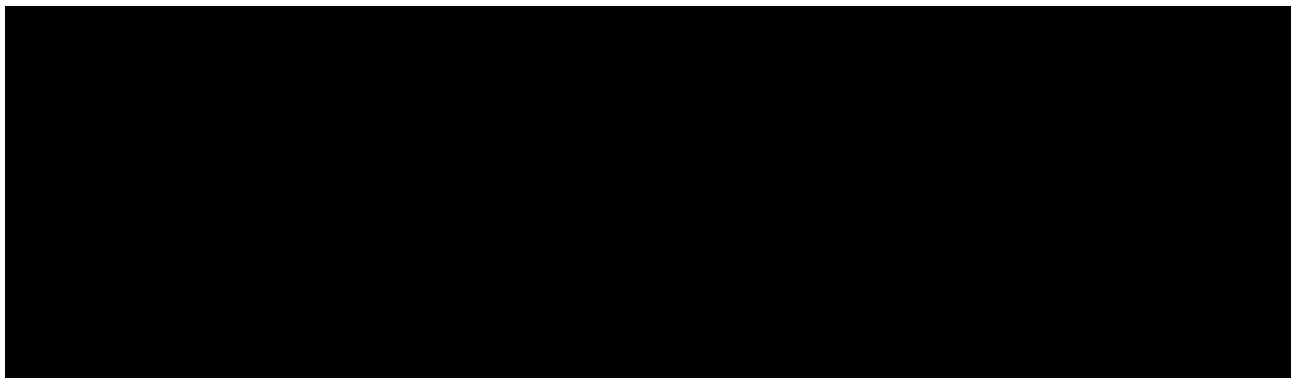
D25-50

(n=2950r/min)



D46-30

(n=2950r/min)



D46-50

(n=2950r/min)

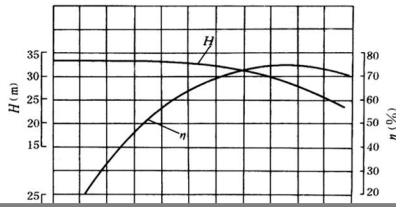
D60-50

(n=2950r/min)

D85-45

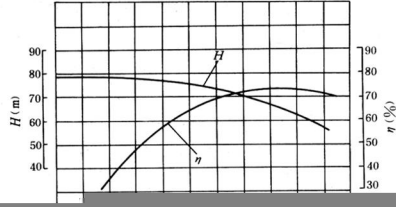
(n=2950r/min)

D、DG、MD、DF



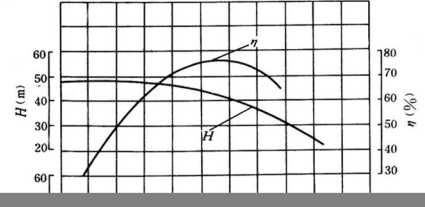
D155-30

(n=1480r/min)



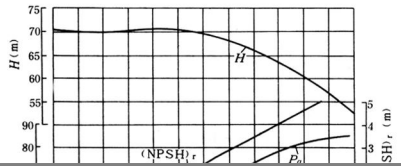
D155-67

(n=2950r/min)



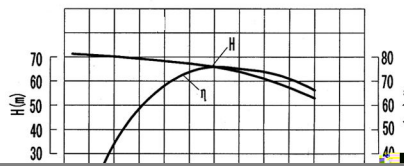
D280-43

(n=1480r/min)



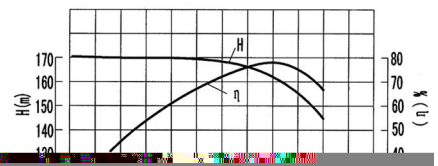
D280-65

(n=1480r/min)



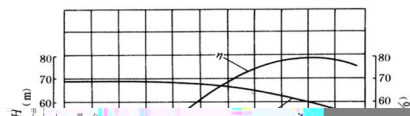
D300-65

(n=1480r/min)



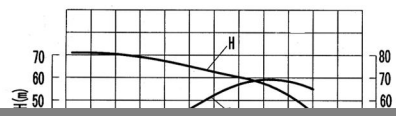
D300-150

(n=2950r/min)



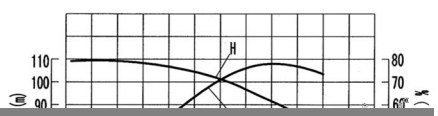
D450-60

(n=1480r/min)



D500-57

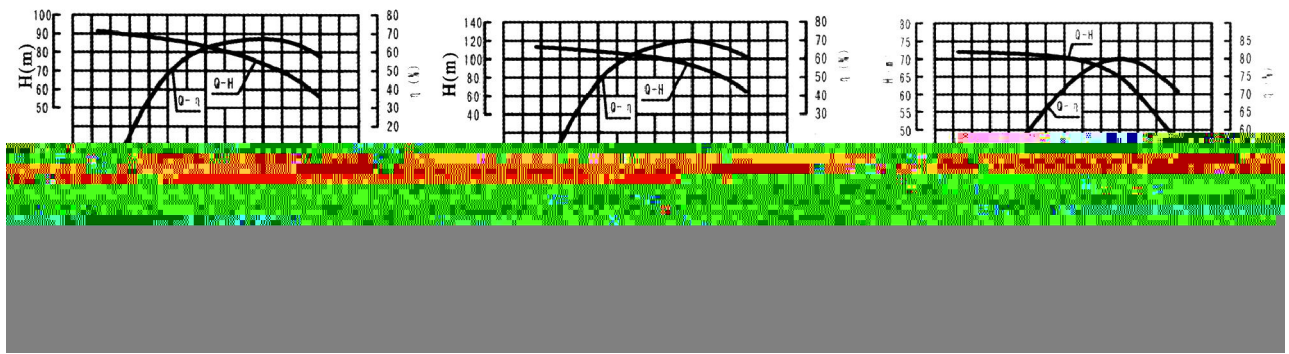
(n=1480r/min)



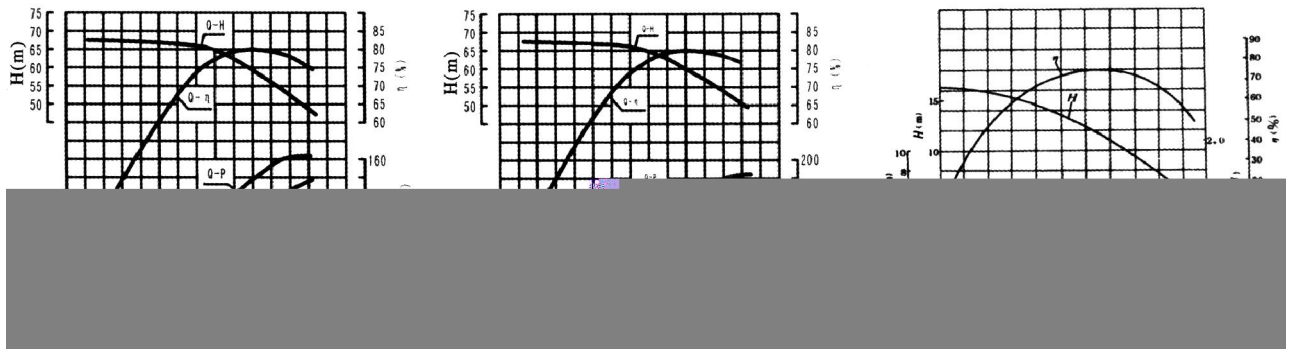
D420-93

(n=1480r/min)

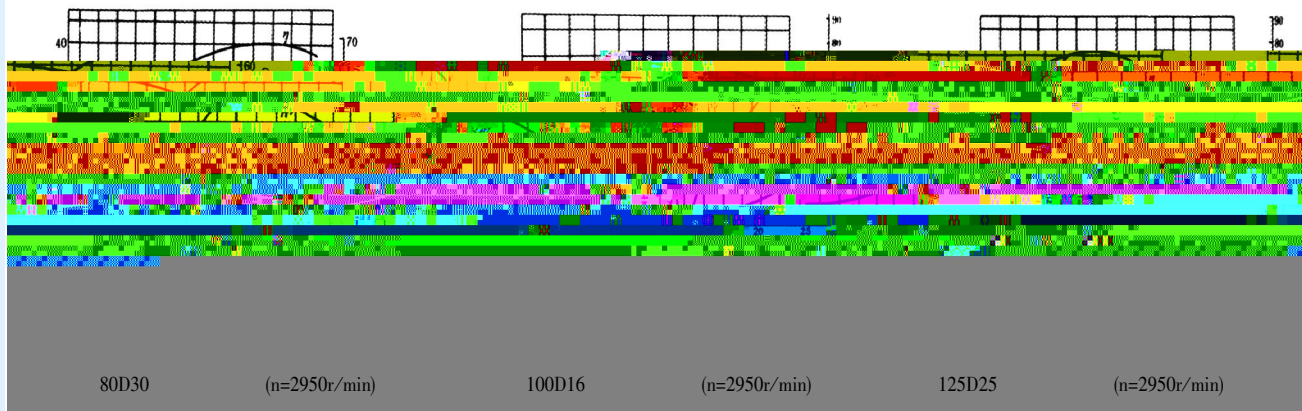
D、DG、MD、DF



D85-80 (n=2950r/min) D150-100 (n=2950r/min) D600-65 (n=1480r/min)

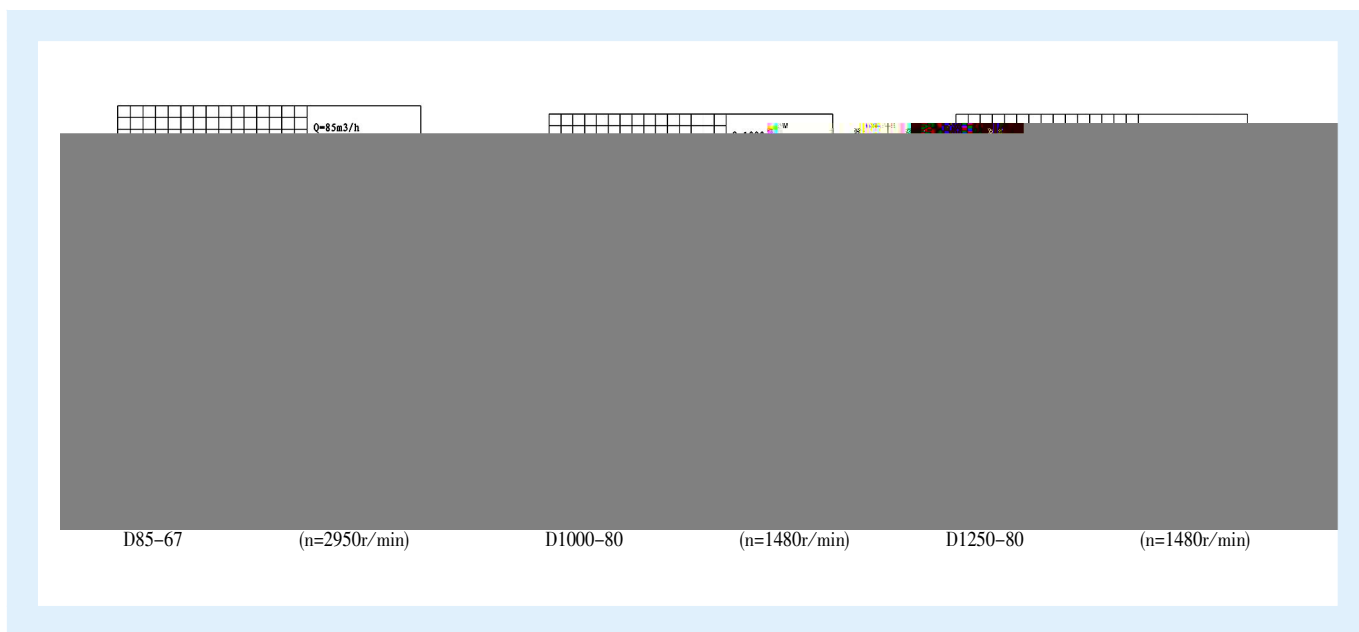


D720-60 (n=1480r/min) D800-60 (n=1480r/min) 80D12 (n=2950r/min)

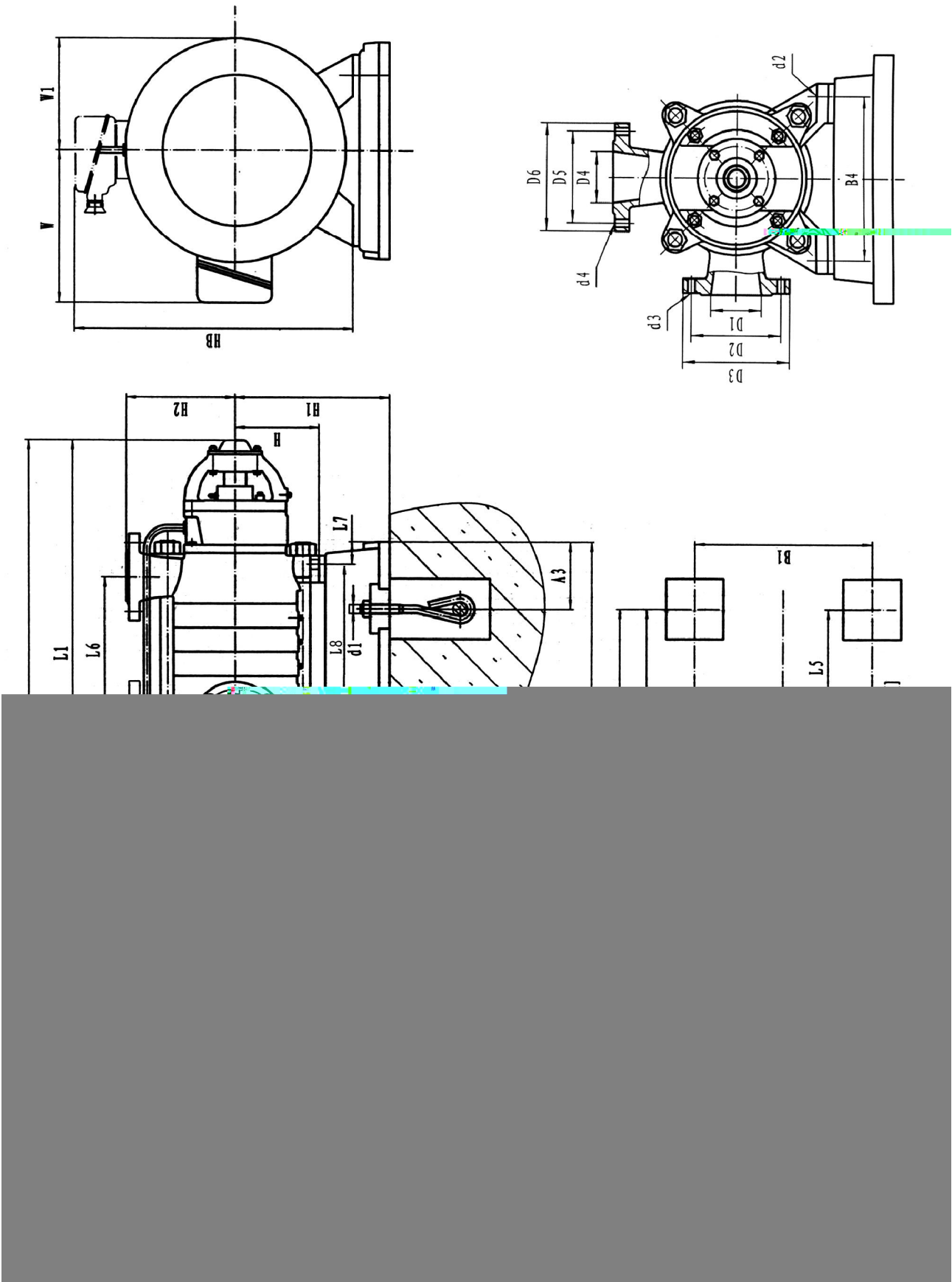


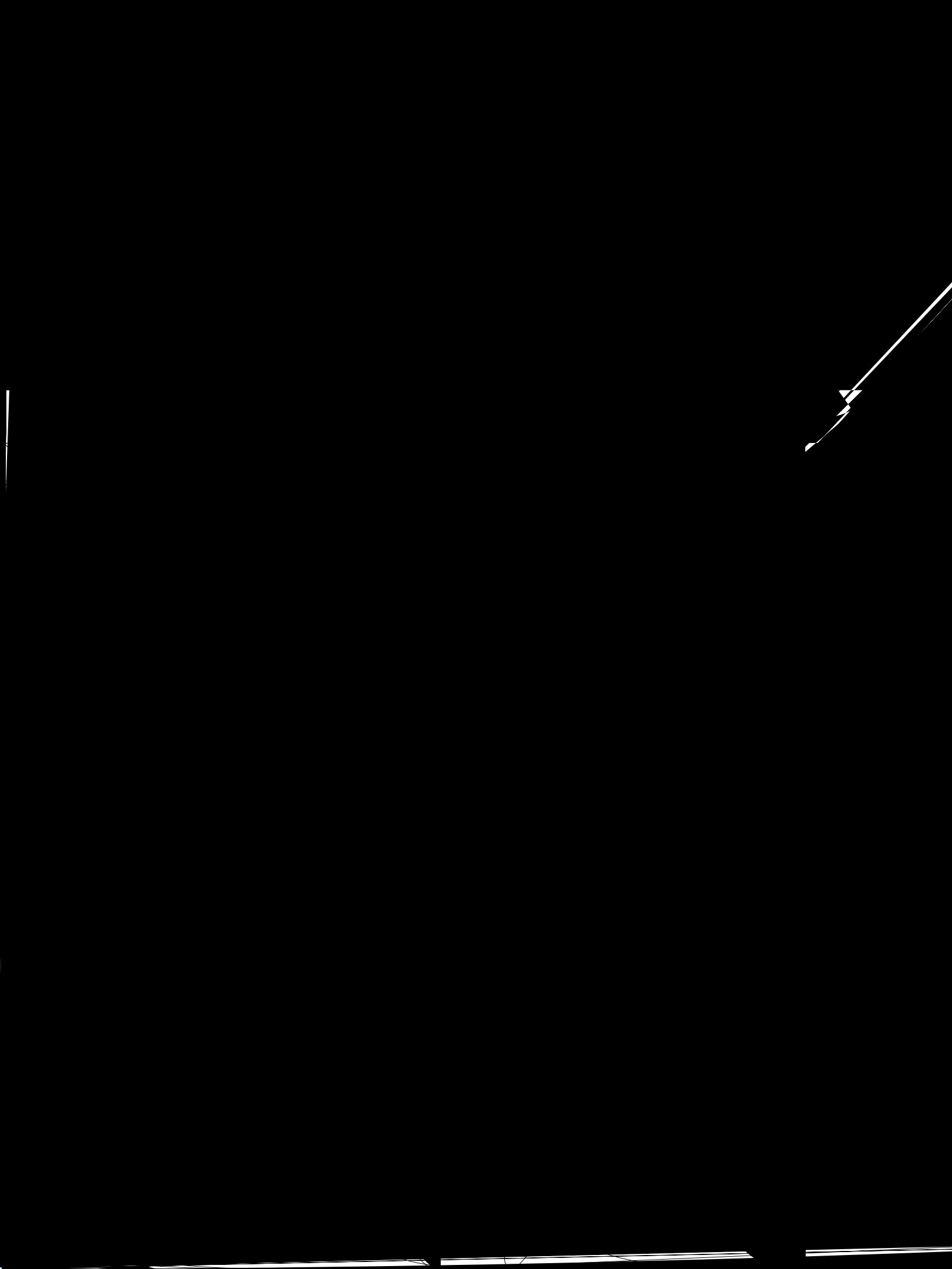
80D30 (n=2950r/min) 100D16 (n=2950r/min) 125D25 (n=2950r/min)

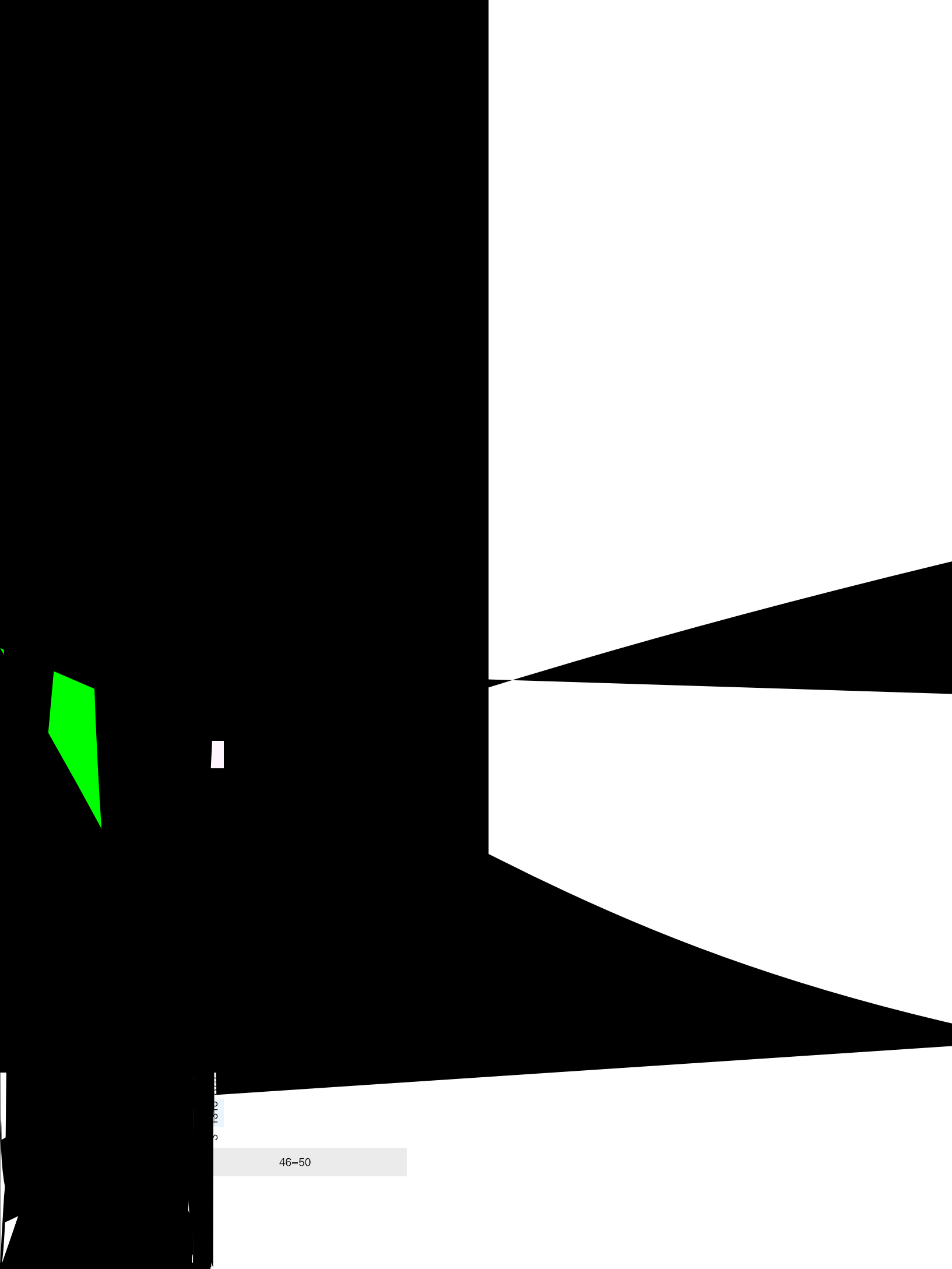
D、DG、MD、DF



D、DG、MD、DF 型多级泵外形及安装图 (整体底座)

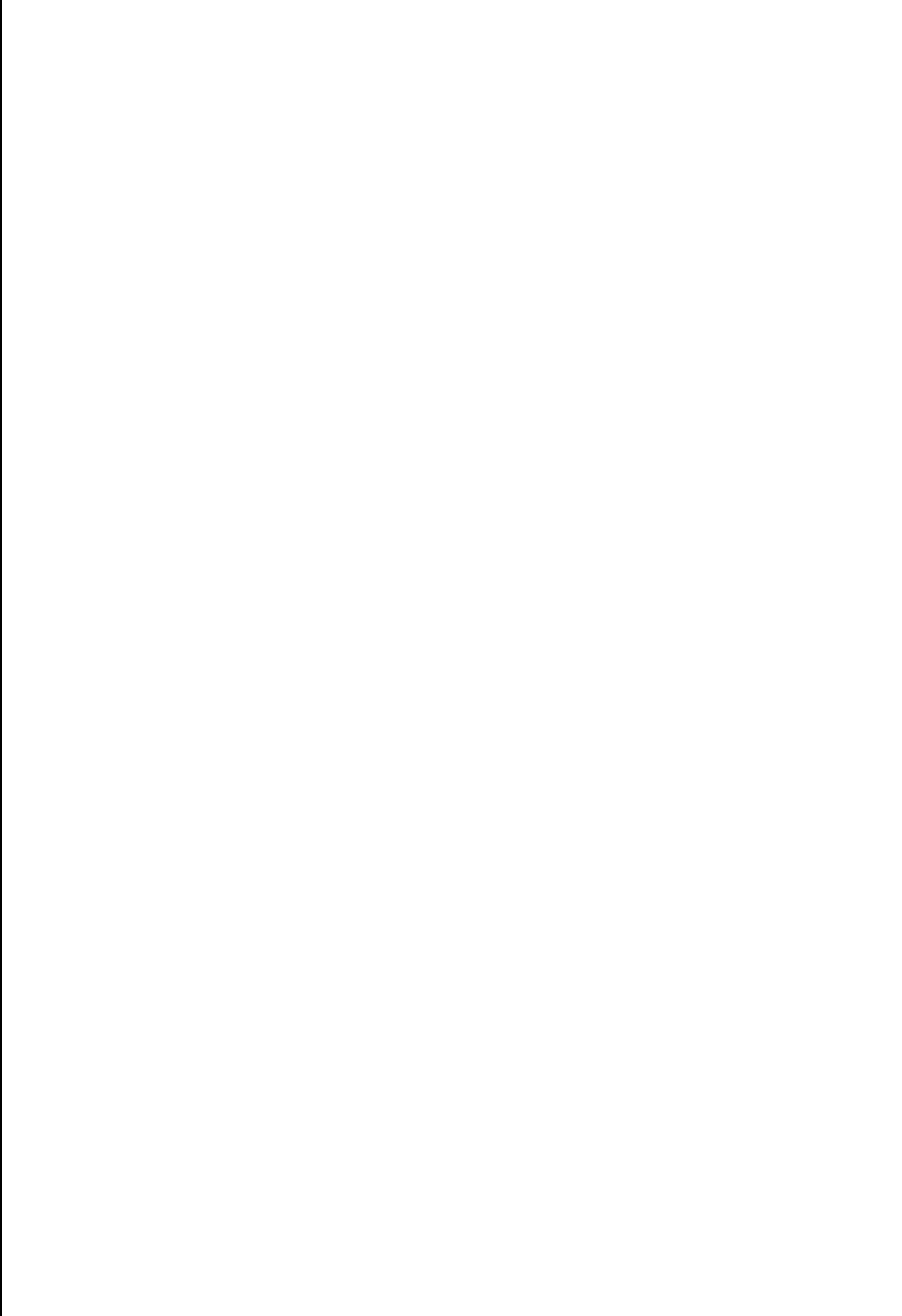


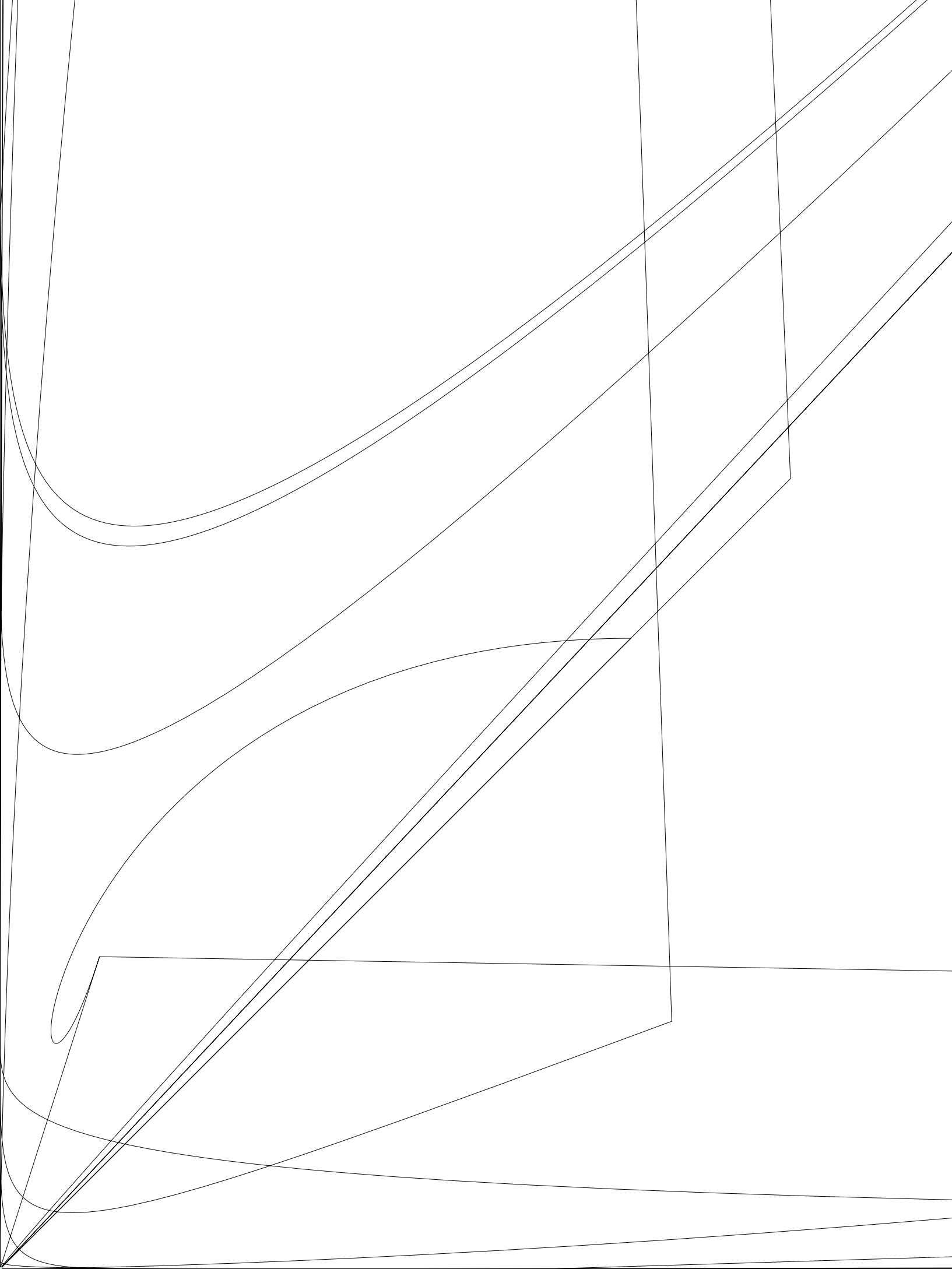




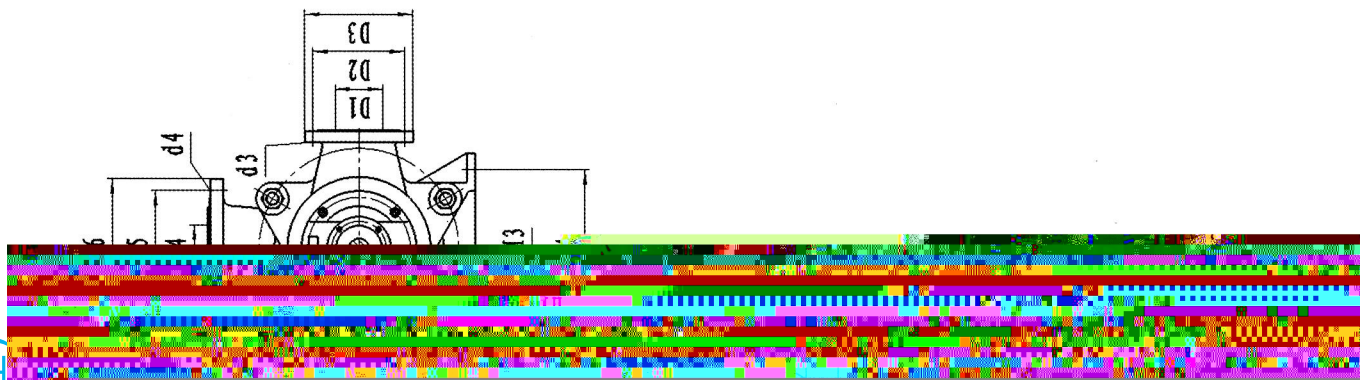
46-50

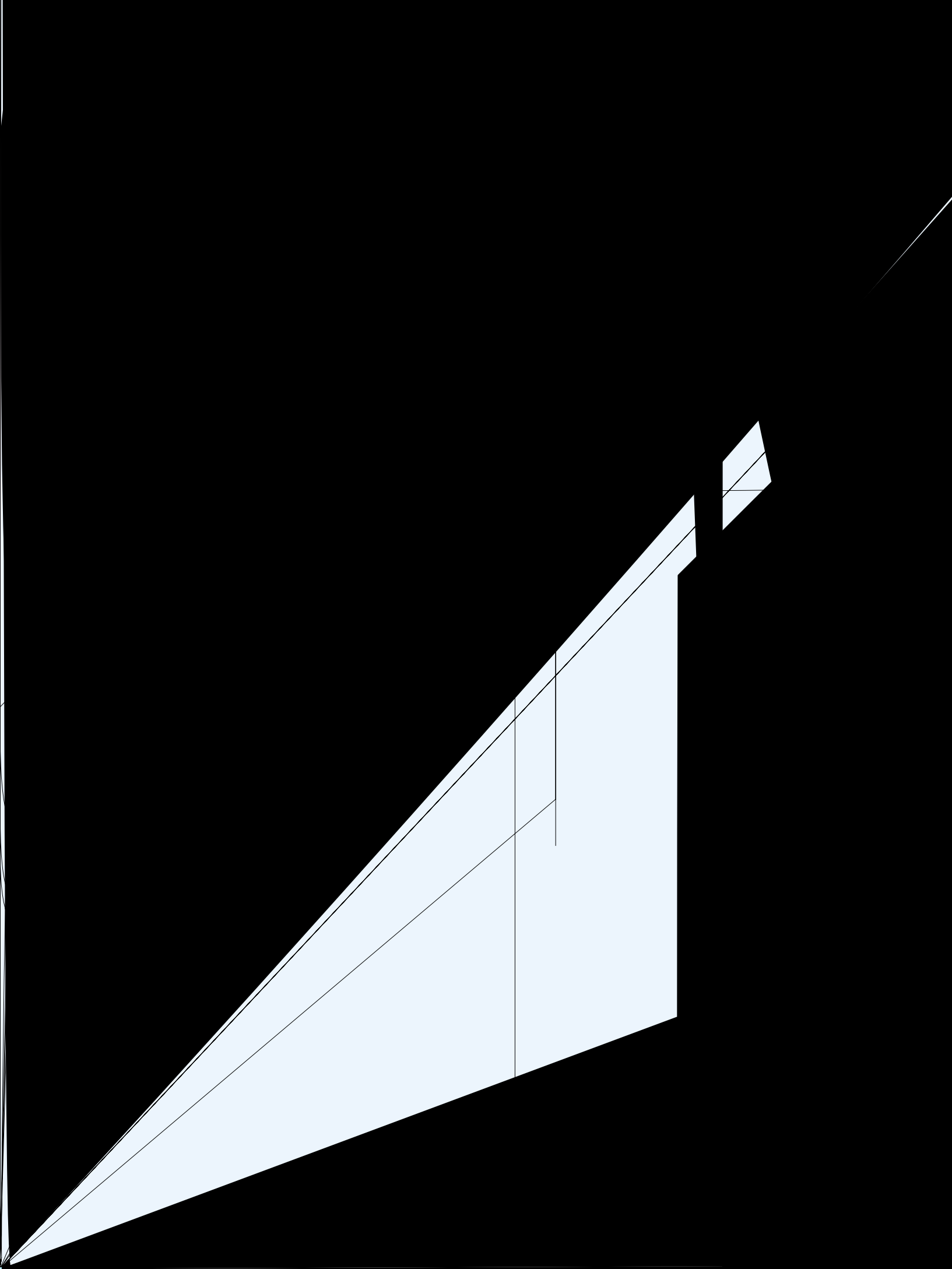
46-50

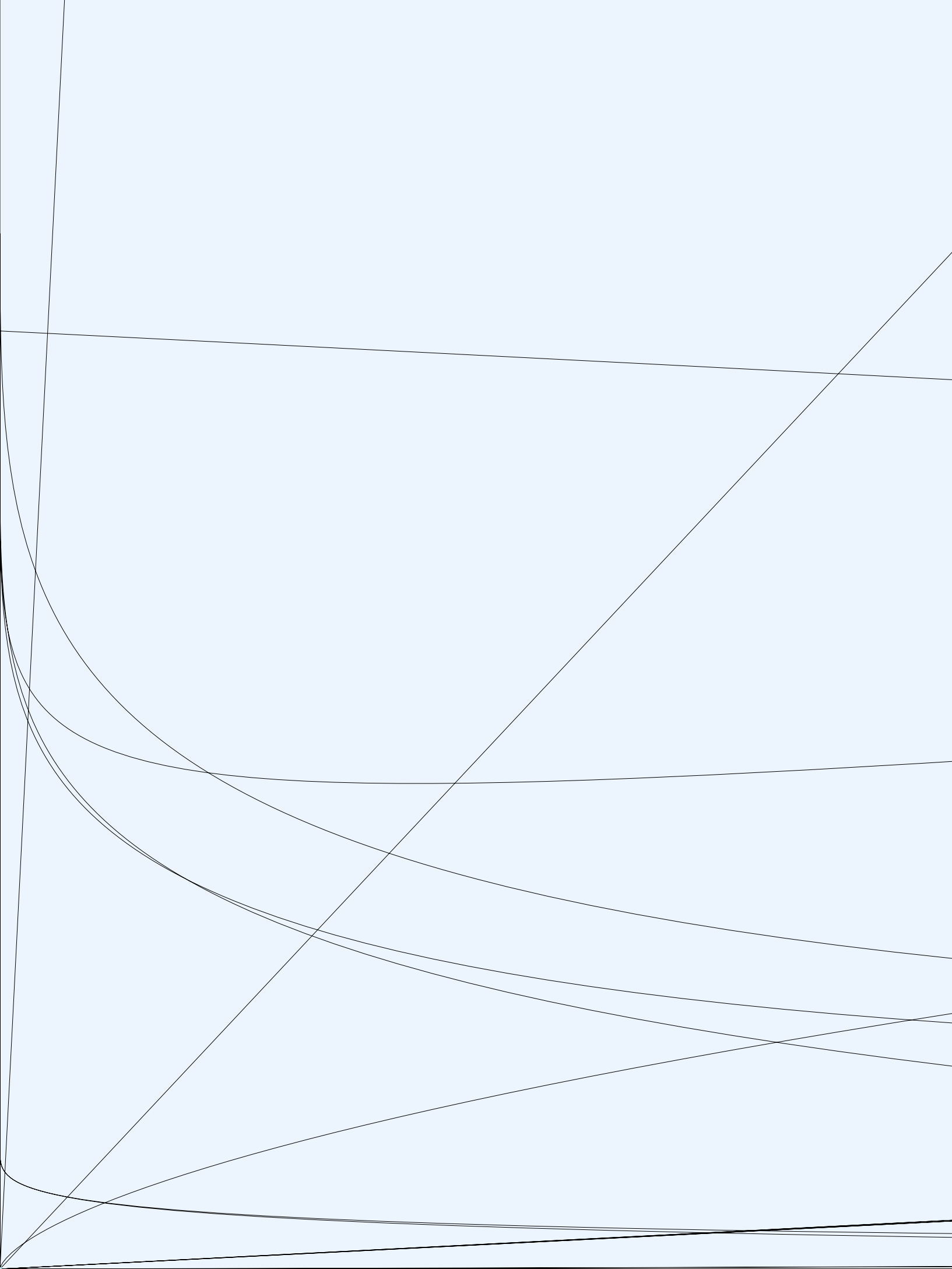




D、DG、MD、DF 型多级泵外形及安装图(单独底座)







产品概述

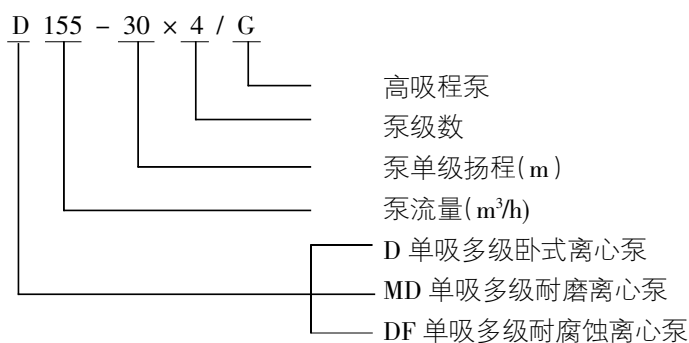
5-6m

2-3

4

5-7

型号意义



性能范围

流量: 60-1450m³/h

扬程: 90-1990m

结构说明

D、MD、DF 等系列高吸程泵为卧式安装,吸入口水平,排出口垂直向上。泵的吸入段、中段、吐出段用拉紧螺栓联结成一体。泵由吸入段、中段、吐出段、叶轮、轴、导叶、导叶套和平衡盘等主要零部件组成。转子的轴向力由平衡盘平衡,轴承采用滚动轴承,用润滑脂润滑。轴封采用填料密封或机械密封。在密封腔中通入有一定压力的水起水封作用。从驱动端方向看,泵为顺时针方向旋转。

主要用途

D 高吸程

80℃

MD 高吸程

D

MD

1.5%(

0.5mm)

80℃

DF 高吸程

-20℃-80℃

D、DG、MD、DF

Model	Stage	Capacity		Head (m)	Eff (%)	Speed (r/min)	Power (kW)	(NPSH)r (m)	Model	Stage	Capacity		Head (m)	Eff (%)	Speed (r/min)	Power (kW)	(NPSH)r (m)				
		(m³/h)	(L/s)								(m³/h)	(L/s)									
D60- 50G MD60- 50G DF60- 50G	2	40	11.1	112	67	2950	30	3.0	D150- 100G MD150- 100G DF150- 100G	2	95	26.4	210	63	2950	132	3.0				
		60	16.67	100	73						150	41.7	197	71.2							
		72	20	90	71						180	50.0	171	67							
	3	40	11.1	168	67		45	3.0		95	26.4	315	63	71.2		200	3.0				
		60	16.67	150	73													150	41.7	295.5	71.2
		72	20	135	71													180	50.0	256.5	67
	4	40	11.1	224	67		55	3.0		95	26.4	420	63	71.2		280	3.0				
		60	16.67	200	73													150	41.7	394	71.2
		72	20	180	71													180	50.0	342	67
5	40	11.1	280	67	75	3.0	95	26.4		525	63	71.2	355	3.0							
	60	16.67	250	73												150	41.7	492.5	71.2		
	72	20	225	71												180	50.0	427.5	67		
6	40	11.1	336	67	90	3.0	95	26.4		630	63	71.2	400	3.0							
	60	16.67	300	73												150	41.7	591	71.2		
	72	20	270	71												180	50.0	513	67		
7	40	11.1	392	67	90	3.0	95	26.4		735	63	71.2	500	3.0							
	60	16.67	350	73												150	41.7	689.5	71.2		
	72	20	315	71												180	50.0	598.5	67		
8	40	11.1	448	67	110	3.0	95	26.4	840	63	71.2	560	3.0								
	60	16.67	400	73										150	41.7	788	71.2				
	72	20	360	71										180	50.0	684	67				
9	40	11.1	504	67	132	3.0	95	26.4	945	63	71.2	630	3.0								
	60	16.67	450	73										150	41.7	886.5	71.2				
	72	20	405	71										180	50.0	769.5	67				
D85- 45G MD85- 45G DF85- 45G	2	54	15	100	62	2950	37	3.0	D155- 30G MD155- 30G DF155- 30G	2	100	27.8	65	64	1480	45	3.0				
		85	23.6	90	72.4						155	43	60	75							
		97	27	80	70						185	51.4	55	75							
	3	54	15	150	62		55	3.0		100	27.8	97.5	64	75		75	75				
		85	23.6	135	72.4													155	43	90	75
		97	27	120	70													185	51.4	82.5	75
	4	54	15	200	62		75	3.0		100	27.8	130	64	75		90	3.0				
		85	23.6	180	72.4													155	43	120	75
		97	27	160	70													185	51.4	110	75
5	54	15	250	62	90	3.0	100	27.8		162.5	64	75	110	3.0							
	85	23.6	225	72.4												155	43	150	75		
	97	27	200	70												185	51.4	137.5	75		
6	54	15	300	62	110	3.0	100	27.8		195	64	75	132	3.0							
	85	23.6	270	72.4												155	43	180	75		
	97	27	240	70												185	51.4	165	75		
7	54	15	350	62	132	3.0	100	27.8		227.5	64	75	160	3.0							
	85	23.6	315	72.4												155	43	210	75		
	97	27	280	70												185	51.4	192.5	75		
8	54	15	400	62	160	3.0	100	27.8	260	64	75	200	3.0								
	85	23.6	360	72.4										155	43	240	75				
	97	27	320	70										185	51.4	220	75				
9	54	15	450	62	160	3.0	100	27.8	292.5	64	75	200	3.0								
	85	23.6	405	72.4										155	43	270	75				
	97	27	360	70										185	51.4	247.5	75				
D85- 67G MD85- 67G DF85- 67G	3	55	15.28	222	54	2950	90	3.0	D155- 67G MD155- 67G DF155- 67G	3	100	27.78	228	64	2950	132	3.0				
		85	23.61	201	69						155	43.06	201	75							
		100	27.78	183	65						185	51.39	177	72							
	4	55	15.28	296	54		110	3.0		100	27.78	304	64	75		200	3.0				
		85	23.61	268	69													155	43.06	268	75
		100	27.78	244	65													185	51.39	236	72
	5	55	15.28	370	54		132	3.0		100	27.78	380	64	75		220	3.0				
		85	23.61	335	69													155	43.06	335	75
		100	27.78	305	65													185	51.39	295	72
6	55	15.28	444	54	160	3.0	100	27.78		465	64	75	280	3.0							
	85	23.61	402	69												155	43.06	402	75		
	100	27.78	366	65												185	51.39	354	72		
7	55	15.28	518	54	200	3.0	100	27.78		528	64	75	315	3.0							
	85	23.61	469	69												155	43.06	469	75		
	100	27.78	427	65												185	51.39	413	72		
8	55	15.28	592	54	220	3.0	100	27.78		608	64	75	355	3.0							
	85	23.61	536	69												155	43.06	536	75		
	100	27.78	488	65												185	51.39	472	72		
9	55	15.28	666	54	250	3.0	100	27.78	684	64	75	400	3.0								
	85	23.61	603	69										155	43.06	603	75				
	100	27.78	549	65										185	51.39	531	72				
D85- 80G MD85- 80G DF85- 80G	3	54	15.0	264	53	2950	110	3.0	D155- 80G MD155- 80G DF155- 80G	3	100	27.78	228	64	2950	132	3.0				
		85	23.6	240	67						155	43.06	201	75							
		108	30.0	210	66						185	51.39	177	72							
	4	54	15.0	352	53		132	3.0		100	27.78	304	64	75		200	3.0				
		85	23.6	320	67													155	43.06	268	75
		108	30.0	280	66													185	51.39	236	72
	5	54	15.0	440	53		160	3.0		100	27.78	380	64	75		220	3.0				
		85	23.6	400	67													155	43.06	335	75
		108	30.0	350	66													185	51.39	295	72
	6	54	15.0	528	53		200	3.0		100	27.78	465	64	75		280	3.0				
		85	23.6	480	67													155	43.06	402	75
		108	30.0	420	66													185	51.39	354	72
7	54	15.0	616	53	250	3.0	100	27.78	528	64	75	315	3.0								
	85	23.6	560	67										155	43.06	469	75				
	108	30.0	490	66										185	51.39	413	72				
8	54	15.0	704	53	280	3.0	100	27.78	608	64	75	355	3.0								
	85	23.6	640	67										155	43.06	536	75				
	108	30.0	560	66										185	51.39	472	72				
9	54	15.0	792	53	355	3.0	100	27.78	684	64	75	400	3.0								
	85	23.6	720	67										155	43.06	603	75				
	108	30.0	630	66										185	51.39	531	72				
10	54	15.0	880	53	355	3.0	100	27.78	768	64	75	450	3.0								
	85	23.6	800	67										155	43.06	603	75				
	108	30.0	700	66										185	51.39	531	72				
11	54	15.0	968	53	400	3.0	100	27.78	840	64	75	450	3.0								
	85	23.6	880	67										155	43.06	603	75				
	108	30.0	770	66										185	51.39	531	72				
12	54	15.0	1056	53	400	3.0	100	27.78	924	64	75	450	3.0								
	85	23.6	960	67										155	43.06	603	75				
	108	30.0	840	66										185	51.39	531	72				

D、DG、MD、DF

Model	Stage	Capacity		Head (m)	Eff (%)	Speed (r/min)	Power (kW)	(NPSH) _r (m)	Model	Stage	Capacity		Head (m)	Eff (%)	Speed (r/min)	Power (kW)	(NPSH) _r (m)
		(m ³ /h)	(L/s)								(m ³ /h)	(L/s)					
D216- 25G MD216- 25G DF216- 25G	2	150	41.7	59	72	1480	45	3.0	D280- 100G MD280- 100G DF280- 100G	2	250	69.4	210	74	2950	250	3.0
		216	60	50	78.2						280	77.8	200	77			
		260	72.2	45	75						300	83.3	196	77			
	3	150	41.7	88.5	72		75	3.0		3	250	69.4	315	74		400	3.0
		216	60	75	78.2						280	77.8	300	77			
		260	72.2	67.5	75						300	83.3	294	77			
	4	150	41.7	118	72		90	3.0		4	250	69.4	420	74		500	3.0
		216	60	100	78.2						280	77.8	400	77			
		260	72.2	90	75						300	83.3	392	77			
	5	150	41.7	147.5	72		110	3.0		5	250	69.4	525	74		630	3.0
216		60	125	78.2	280	77.8			500		77						
260		72.2	112.5	75	300	83.3			490		77						
6	150	41.7	177	72	132	3.0	6	250	69.4	630	74	710	3.0				
	216	60	150	78.2				280	77.8	600	77						
	260	72.2	135	75				300	83.3	588	77						
7	150	41.7	206.5	72	160	3.0	7	250	69.4	735	74	900	3.0				
	216	60	175	78.2				280	77.8	700	77						
	260	72.2	157.5	75				300	83.3	686	77						
8	150	41.7	236	72	185	3.0	8	250	69.4	840	74	1000	3.0				
	216	60	200	78.2				280	77.8	800	77						
	260	72.2	180	75				300	83.3	784	77						
9	150	41.7	265.5	72	200	3.0	9	250	69.4	945	74	1120	3.0				
	216	60	225	78.2				280	77.8	900	77						
	260	72.2	202.5	75				300	83.3	882	77						
10	150	41.7	295	72	220	3.0	10	250	69.4	1050	74	1250	3.0				
	216	60	250	78.2				280	77.8	1000	77						
	260	72.2	225	75				300	83.3	980	77						
D280- 43G MD280- 43G DF280- 43G	2	185	51.39	94	69	1480	110	3.0	D300- 150G MD300- 150G DF300- 150G	3	240	66.67	492	74	2950	630	3.0
		280	77.78	86	77.7						300	83.33	474	76			
		335	93.06	76	75						360	100	444	78			
	3	185	51.39	141	69		160	3.0		4	240	66.67	656	74		800	3.0
		280	77.78	129	77.7						300	83.33	632	76			
		335	93.06	114	75						360	100	592	78			
	4	185	51.39	188	69		220	3.0		5	240	66.67	820	74		1000	3.0
		280	77.78	172	77.7						300	83.33	790	76			
		335	93.06	152	75						360	100	740	78			
5	185	51.39	235	69	280	3.0	6	240	66.67	984	74	1250	3.0				
	280	77.78	215	77.7				300	83.33	948	76						
	335	93.06	190	75				360	100	888	78						
6	185	51.39	282	69	315	3.0	7	240	66.67	1148	74	1400	3.0				
	280	77.78	258	77.7				300	83.33	1106	76						
	335	93.06	228	75				360	100	1036	78						
7	185	51.39	329	69	355	3.0	8	240	66.67	1312	74	1600	3.0				
	280	77.78	301	77.7				300	83.33	1264	76						
	335	93.06	266	75				360	100	1184	78						
8	185	51.39	376	69	400	3.0	9	240	66.67	1476	74	1800	3.0				
	280	77.78	344	77.7				300	83.33	1422	76						
	335	93.06	304	75				360	100	1332	78						
9	185	51.39	423	69	450	3.0	10	240	66.67	1640	74	2000	3.0				
	280	77.78	387	77.7				300	83.33	1580	76						
	335	93.06	342	75				360	100	1480	78						
D280- 65G MD280- 65G DF280- 65G	3	210	58.33	209.1	64	1480	280	3.0	D360- 40G MD360- 40G DF360- 40G	2	300	83.3	84	77	1480	132	3.0
		280	77.78	198.75	73.9						360	100	80	80			
		340	94.44	184.2	71						440	122.2	71	77			
	4	210	58.33	278.8	64		355	3.0		3	300	83.3	126	77		185	3.0
		280	77.78	265	73.9						360	100	120	80.4			
		340	94.44	245.6	71						440	122.2	106.5	77			
	5	210	58.33	384.5	64		450	3.0		4	300	83.3	168	77		250	3.0
		280	77.78	331.25	73.9						360	100	160	80.4			
		340	94.44	307	71						440	122.2	142	77			
	6	210	58.33	418.5	64		500	3.0		5	300	83.3	210	77		315	3.0
280		77.78	397.5	73.9	360	100			200		80.4						
340		94.44	368.4	71	440	122.2			177.5		77						
7	210	58.33	487.5	64	630	3.0	6	300	83.3	252	77	400	3.0				
	280	77.78	463.75	73.9				360	100	240	80.4						
	340	94.44	429.8	71				440	122.2	213	77						
8	210	58.33	557.6	64	710	3.0	7	300	83.3	294	77	450	3.0				
	280	77.78	530	73.9				360	100	280	80.4						
	340	94.44	491.2	71				440	122.2	248.5	77						
9	210	58.33	627.3	64	800	3.0	8	300	83.3	336	77	500	3.0				
	280	77.78	596.25	73.9				360	100	320	80.4						
	340	94.44	552.6	71				440	122.2	284	77						
10	210	58.33	697	64	900	3.0	9	300	83.3	378	77	560	3.0				
	280	77.78	662.5	73.9				360	100	360	80.4						
	340	94.44	614	71				440	122.2	319.5	77						
10	210	58.33	697	64	900	3.0	10	300	83.3	415	77	630	3.0				
	280	77.78	662.5	73.9				360	100	400	80.4						
	340	94.44	614	71				440	122.2	350	77						

D、DG、MD、DF

Model	Stage	Capacity		Head (m)	Eff (%)	Speed (r/min)	Power (kW)	(NPSH) _r (m)	Model	Stage	Capacity		Head (m)	Eff (%)	Speed (r/min)	Power (kW)	(NPSH) _r (m)
		(m³/h)	(L/s)								(m³/h)	(L/s)					
D420-93G MD420-93G DF420-93G	3	315	87.5	286	69	1480	450	3.0	D500-57G MD500-57G DF500-57G	2	375	125	120	72	1480	220	3.0
		420	116.7	260	76						500	139	114	79			
		480	133.3	250	75						550	153	108	78			
	4	315	87.5	388	69		630	3.0		3	375	125	180	72		355	3.0
		420	116.7	356	76						500	139	171	79			
		480	133.3	340	75						550	153	162	78			
	5	315	87.5	490	69		800	3.0		4	375	125	240	72		500	3.0
		420	116.7	452	76						500	139	228	79			
		480	133.3	430	75						550	153	216	78			
	6	315	87.5	592	69		1000	3.0		5	375	125	300	72		630	3.0
		420	116.7	548	76						500	139	285	79			
		480	133.3	520	75						550	153	270	78			
7	315	87.5	690	69	1120	3.0	6	375	125	360	72	710	3.0				
	420	116.7	644	76				500	139	342	79						
	480	133.3	610	75				550	153	324	78						
8	315	87.5	796	69	1250	3.0	7	375	125	420	72	800	3.0				
	420	116.7	740	76				500	139	399	79						
	480	133.3	700	75				550	153	378	78						
9	315	87.5	898	69	1400	3.0	8	375	125	480	72	900	3.0				
	420	116.7	836	76				500	139	456	79						
	480	133.3	790	75				550	153	432	78						
10	315	87.5	1000	69	1600	3.0	9	375	125	540	72	1000	3.0				
	420	116.7	932	76				500	139	513	79						
	480	133.3	880	75				550	153	486	78						
11	315	87.5	1102	69	1800	3.0	10	375	125	600	72	1120	3.0				
	420	116.7	1028	76				500	139	570	79						
	480	133.3	970	75				550	153	540	78						
12	315	87.5	1204	69	2000	3.0	11	375	125	660	72	1250	3.0				
	420	116.7	1124	76				500	139	627	79						
	480	133.3	1060	75				550	153	594	78						
D450-60G MD450-60G DF450-60G	3	335	93.1	195	72	1480	355	3.0	D580-60G MD580-60G DF580-60G	3	450	125	198	79	1480	450	3.5
		450	125	180	79.9						580	161	180	82			
		500	139	171	78						666	185	154	80			
	4	335	93.1	260	72		500	3.0		4	450	125	262	79		500	3.5
		450	125	240	79.9						580	161	240	82			
		500	139	228	78						666	185	205	80			
	5	335	93.1	325	72		630	3.0		5	450	125	325	79		630	3.5
		450	125	300	79.9						580	161	300	82			
		500	139	285	78						666	185	262	80			
	6	335	93.1	390	72		710	3.0		6	450	125	390	79		800	3.5
		450	125	360	79.9						580	161	360	82			
		500	139	342	78						666	185	318	80			
7	335	93.1	455	72	800	3.0	7	450	125	454	79	900	3.5				
	450	125	420	79.9				580	161	420	82						
	500	139	399	78				666	185	374	80						
8	335	93.1	520	72	900	3.0	8	450	125	518	79	1000	3.5				
	450	125	480	79.9				580	161	480	82						
	500	139	456	78				666	185	438	80						
9	335	93.1	585	72	1000	3.0	9	450	125	582	79	1250	3.5				
	450	125	540	79.9				580	161	540	82						
	500	139	513	78				666	185	502	80						
10	335	93.1	650	72	1120	3.0	10	450	125	646	79	1250	3.5				
	450	125	600	79.9				580	161	600	82						
	500	139	570	78				666	185	558	80						
D600-65G MD600-65G DF600-65G	2	450	125	140	74	1480	315	3.5	D600-65G MD600-65G DF600-65G	2	450	125	140	74	1480	315	3.5
		600	166.7	130	81.8						600	166.7	210	81.8			
		720	200	108	76						720	200	162	76			
	3	450	125	210	74		450	3.5		3	450	125	210	74		450	3.5
		600	166.7	195	81.8						600	166.7	200	81.8			
		720	200	162	76						720	200	216	76			
	4	450	125	280	74		630	3.5		4	450	125	280	74		630	3.5
		600	166.7	260	81.8						600	166.7	260	81.8			
		720	200	216	76						720	200	270	76			
	5	450	125	350	74		800	3.5		5	450	125	350	74		800	3.5
		600	166.7	325	81.8						600	166.7	325	81.8			
		720	200	270	76						720	200	324	76			
6	450	125	420	74	900	3.5	6	450	125	420	74	900	3.5				
	600	166.7	390	81.8				600	166.7	390	81.8						
	720	200	324	76				720	200	324	76						
7	450	125	490	74	1120	3.5	7	450	125	490	74	1120	3.5				
	600	166.7	455	81.8				600	166.7	455	81.8						
	720	200	378	76				720	200	378	76						
8	450	125	560	74	1250	3.5	8	450	125	560	74	1250	3.5				
	600	166.7	520	81.8				600	166.7	520	81.8						
	720	200	432	76				720	200	432	76						
9	450	125	630	74	1400	3.5	9	450	125	630	74	1400	3.5				
	600	166.7	585	81.8				600	166.7	585	81.8						
	720	200	486	76				720	200	486	76						

D、DG、MD、DF

Model	Stage	Capacity		Head (m)	Eff (%)	Speed (r/min)	Power (kW)	(NPSH)r (m)
		(m³/h)	(L/s)					
D720- 60G MD720- 60G DF720- 60G	2	550	153	132	76	1480	355	3.5
		720	200	120	83.5			
		850	236	108	78.5			
	3	550	153	198	76		500	3.5
		720	200	180	83.5			
		850	236	162	78.5			
	4	550	153	264	76		710	3.5
		720	200	240	83.5			
		850	236	216	78.5			
5	550	153	330	76	900	3.5		
	720	200	300	83.5				
	850	236	270	78.5				
6	550	153	396	76	1120	3.5		
	720	200	360	83.5				
	850	236	324	78.5				
7	550	153	462	76	1250	3.5		
	720	200	420	83.5				
	850	236	378	78.5				
8	550	153	528	76	1400	3.5		
	720	200	480	83.5				
	850	236	432	78.5				
9	550	153	594	76	1600	3.5		
	720	200	540	83.5				
	850	236	486	78.5				
D800- 60G MD800- 60G DF800- 60G	2	600	167	132	76	1480	450	3.5
		800	222	120	84			
		960	267	108	78.5			
	3	600	167	198	76		630	3.5
		800	222	180	84			
		960	267	162	78.5			
	4	600	167	264	76		800	3.5
		800	222	240	84			
		960	267	216	78.5			
5	600	167	330	76	1000	3.5		
	800	222	300	84				
	960	267	270	78.5				
6	600	167	396	76	1250	3.5		
	800	222	360	84				
	960	267	324	78.5				
7	600	167	462	76	1400	3.5		
	800	222	420	84				
	960	267	378	78.5				
8	600	167	528	76	1600	3.5		
	800	222	480	84				
	960	267	432	78.5				
9	600	167	594	76	1800	3.5		
	800	222	540	84				
	960	267	486	78.5				
D800- 70G MD800- 70G DF800- 70G	2	600	167	154	76	1480	500	3.5
		800	222	140	80			
		960	267	126	78.5			
	3	600	167	231	76		710	3.5
		800	222	210	80			
		960	267	189	78.5			
	4	600	167	308	76		900	3.5
		800	222	280	80			
		960	267	252	78.5			
5	600	167	385	76	1120	3.5		
	800	222	350	80				
	960	267	315	78.5				
6	600	167	462	76	1400	3.5		
	800	222	420	80				
	960	267	378	78.5				
7	600	167	539	76	1600	3.5		
	800	222	490	80				
	960	267	441	78.5				
8	600	167	616	76	1800	3.5		
	800	222	560	80				
	960	267	504	78.5				
9	600	167	693	76	2000	3.5		
	800	222	630	80				
	960	267	567	78.5				

Model	Stage	Capacity		Head (m)	Eff (%)	Speed (r/min)	Power (kW)	(NPSH)r (m)
		(m³/h)	(L/s)					
D1000- 80G MD1000- 80G DF1000- 80G	2	800	222.22	184	80	1480	630	3.5
		1000	277.78	160	82			
		1160	322.22	130	80			
	3	800	222.22	276	80		900	3.5
		1000	277.78	240	82			
		1160	322.22	195	80			
	4	800	222.22	368	80		1250	3.5
		1000	277.78	320	82			
1160		322.22	260	80				
5	800	222.22	460	80	1600	3.5		
	1000	277.78	400	82				
	1160	322.22	325	80				
6	800	222.22	552	80	1800	3.5		
	1000	277.78	480	82				
	1160	322.22	390	80				
7	800	222.22	644	80	2240	3.5		
	1000	277.78	560	82				
	1160	322.22	455	80				
8	800	222.22	736	80	2500	3.5		
	1000	277.78	640	82				
	1160	322.22	520	80				
D1100- 86G MD1100- 86G DF1100- 86G	2	850	236	184	78	1480	800	3.5
		1100	305.6	172	80			
	1300	361	156	78				
	3	850	236	276	78		1120	3.5
		1100	305.6	258	80			
	1300	361	234	78				
4	850	236	368	78	1600	3.5		
	1100	305.6	344	80				
1300	361	312	78					
5	850	236	460	78	1800	3.5		
	1100	305.6	430	80				
1300	361	390	78					
6	850	236	552	78	2240	3.5		
	1100	305.6	516	80				
1300	361	468	78					
D1250- 80G MD1250- 80G DF1250- 80G	2	1000	277.78	182	82	1480	800	3.5
		1250	347.22	160	85.3			
		1450	402.77	128	82			
	3	1000	277.78	273	82		1120	3.5
		1250	347.22	240	85.3			
		1450	402.77	192	82			
	4	1000	277.78	364	82		1600	3.5
		1250	347.22	320	85.3			
1450	402.77	256	82					
5	1000	277.78	455	82	1800	3.5		
	1250	347.22	400	85.3				
1450	402.77	320	82					
6	1000	277.78	546	82	2240	3.5		
	1250	347.22	480	85.3				
1450	402.77	384	82					
7	1000	277.78	637	82	2500	3.5		
	1250	347.22	560	85.3				
1450	402.77	448	82					
8	1000	277.78	728	82	3150	3.5		
	1250	347.22	640	85.3				
1450	402.77	512	82					

MD(P)

()

产品概述

20

ZL 201420400918.0

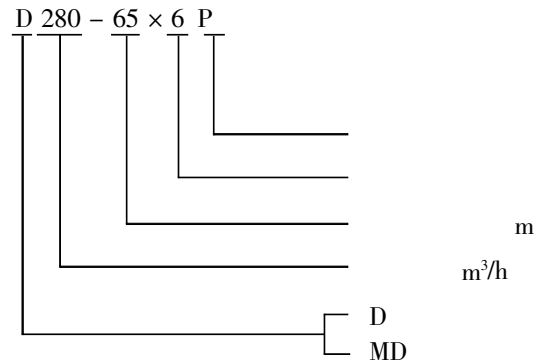
性能范围

100-1800m³/h

110-520m



型号意义



结构说明

主要用途

2

30 / 20% 0.5 80°C 8000

主要零部件材质

Si Mn Mo

ZGSiMnMo

HB360-400

MD(P)

()

Model	Stage	Capacity		Head (m)	Eff (%)	Speed (r/min)	Power (kW)	(NPSH)r (m)
		(m³/h)	(L/s)					
D46- 50 P MD46- 50 P	3	30	8.34	166.5	54	2950	37	2.5
		46	12.78	150	64.2			
		55	15.3	138	64			
	4	30	8.34	222	54		45	2.5
		46	12.78	200	64.2			
		55	15.3	184	64			
	5	30	8.34	277.5	54		55	2.5
		46	12.78	250	64.2			
		55	15.3	230	64			
	6	30	8.34	333	54		75	2.5
		46	12.78	300	64.2			
		55	15.3	276	64			
7	30	8.34	388.5	54	75	2.5		
	46	12.78	350	64.2				
	55	15.3	322	64				
8	30	8.34	440	54	90	2.5		
	46	12.78	400	64.2				
	55	15.3	368	64				
9	30	8.34	499.5	54	110	2.5		
	46	12.78	450	64.2				
	55	15.3	414	64				
10	30	8.34	555	54	110	2.5		
	46	12.78	500	64.2				
	55	15.3	460	64				
11	30	8.34	610.5	54	132	2.5		
	46	12.78	550	64.2				
	55	15.3	506	64				
12	30	8.34	666	54	132	2.5		
	46	12.78	600	64.2				
	55	15.3	552	64				
D46- 80 P MD46- 80 P	3	36	10	251	50	2950	75	3.9
		46	12.78	240	58			
		62	17.22	205	56			
	4	36	10	335	50		90	3.9
		46	12.78	320	58			
		62	17.22	273	56			
	5	36	10	418	50		110	3.9
		46	12.78	400	58			
		62	17.22	341	56			
	6	36	10	502	50		132	3.9
		46	12.78	480	58			
		62	17.22	409	56			
7	36	10	586	50	160	3.9		
	46	12.78	560	58				
	62	17.22	477	56				
8	36	10	669	50	160	3.9		
	46	12.78	640	58				
	62	17.22	545	56				
9	36	10	753	50	200	3.9		
	46	12.78	720	58				
	62	17.22	614	56				
10	36	10	836	50	220	3.9		
	46	12.78	800	58				
	62	17.22	628	56				
11	36	10	920	50	250	3.9		
	46	12.78	880	58				
	62	17.22	750	56				
12	36	10	1004	50	280	3.9		
	46	12.78	960	58				
	62	17.22	818	56				
D60- 50 P MD60- 50 P	3	40	11.1	168	67	2950	45	4.0
		60	16.67	150	73			
		72	20	135	71			
	4	40	11.1	224	67		55	4.0
		60	16.67	200	73			
		72	20	180	71			
	5	40	11.1	280	67		75	4.0
		60	16.67	250	73			
		72	20	225	71			
	6	40	11.1	336	67		90	4.0
		60	16.67	300	73			
		72	20	270	71			
7	40	11.1	392	67	90	4.0		
	60	16.67	350	73				
	72	20	315	71				
8	40	11.1	448	67	110	4.0		
	60	16.67	400	73				
	72	20	360	71				
9	40	11.1	504	67	132	4.0		
	60	16.67	450	73				
	72	20	405	71				
10	40	11.1	560	67	160	4.0		
	60	16.67	500	73				
	72	20	450	71				

Model	Stage	Capacity		Head (m)	Eff (%)	Speed (r/min)	Power (kW)	(NPSH)r (m)
		(m³/h)	(L/s)					
D85- 45 P MD85- 45 P	3	54	15	150	62	2950	55	2.9
		85	23.6	135	72.4			
		97	27	120	70			
	4	54	15	200	62		75	2.9
		85	23.6	180	72.4			
		97	27	160	70			
	5	54	15	250	62		90	2.9
		85	23.6	225	72.4			
		97	27	200	70			
	6	54	15	300	62		110	2.9
85		23.6	270	72.4				
97		27	240	70				
7	54	15	350	62	132	2.9		
	85	23.6	315	72.4				
	97	27	280	70				
8	54	15	400	62	160	2.9		
	85	23.6	360	72.4				
	97	27	320	70				
9	54	15	450	62	160	2.9		
	85	23.6	405	72.4				
	97	27	360	70				
10	54	15	500	62	200	2.9		
	85	23.6	450	72.4				
	97	27	400	70				
D85- 67 P MD85- 67 P	3	55	15.28	222	54	2950	90	3.3
		85	23.61	201	69			
		100	27.78	183	65			
	4	55	15.28	296	54		110	3.3
		85	23.61	268	69			
		100	27.78	244	65			
	5	55	15.28	370	54		132	3.3
		85	23.61	335	69			
		100	27.78	305	65			
	6	55	15.28	444	54		160	3.3
85		23.61	402	69				
100		27.78	366	65				
7	55	15.28	518	54	200	3.3		
	85	23.61	469	69				
	100	27.78	427	65				
8	55	15.28	592	54	220	3.3		
	85	23.61	536	69				
	100	27.78	488	65				
9	55	15.28	666	54	250	3.3		
	85	23.61	603	69				
	100	27.78	549	65				
10	55	15.28	740	54	315	3.3		
	85	23.61	670	69				
	100	27.78	610	65				
D85- 80 P MD85- 80 P	3	54	15.0	264	53	2950	110	4.2
		85	23.6	240	67			
		108	30.0	210	66			
	4	54	15.0	352	53		132	4.2
		85	23.6	320	67			
		108	30.0	280	66			
	5	54	15.0	440	53		160	4.2
		85	23.6	400	67			
		108	30.0	350	66			
	6	54	15.0	528	53		200	4.2
		85	23.6	480	67			
		108	30.0	420	66			
7	54	15.0	616	53	250	4.2		
	85	23.6	560	67				
	108	30.0	490	66				
8	54	15.0	704	53	280	4.2		
	85	23.6	640	67				
	108	30.0	560	66				
9	54	15.0	792	53	355	4.2		
	85	23.6	720	67				
	108	30.0	630	66				
10	54	15.0	880	53	355	4.2		
	85	23.6	800	67				
	108	30.0	700	66				
11	54	15.0	968	53	400	4.2		
	85	23.6	880	67				
	108	30.0	770	66				
12	54	15.0	1056	53	400	4.2		
	85	23.6	960	67				
	108	30.0	840	66				

MD(P)

()

Model	Stage	Capacity		Head (m)	Eff (%)	Speed (r/min)	Power (kW)	(NPSH) _r (m)	Model	Stage	Capacity		Head (m)	Eff (%)	Speed (r/min)	Power (kW)	(NPSH) _r (m)
		(m ³ /h)	(L/s)								(m ³ /h)	(L/s)					
D155- 30 P	3	100	27.8	97.5	64	1480	75	3.2	D280- 43 P	3	185	51.39	141	69	1480	160	3.0
		155	43	90	75			280			77.78	129	77	4.7			
		185	51.4	82.5	75			335			93.06	114	75	6.0			
MD155- 30 P	4	100	27.8	130	64	1480	90	3.2	MD280- 43 P	4	185	51.39	188	69	1480	220	3.0
		155	43	120	75			280			77.78	172	77	4.7			
		185	51.4	110	75			335			93.06	152	75	6.0			
D155- 67 P	5	100	27.8	162.5	64	2950	110	3.2	D280- 65 P	5	185	51.39	235	69	1480	280	3.0
		155	43	150	75			280			77.78	215	77	4.7			
		185	51.4	137.5	75			335			93.06	190	75	6.0			
MD155- 67 P	6	100	27.8	195	64	2950	132	3.2	MD280- 65 P	6	185	51.39	282	69	1480	315	3.0
		155	43	180	75			280			77.78	258	77	4.7			
		185	51.4	165	75			335			93.06	228	75	6.0			
D216- 25 P	7	100	27.8	227.5	64	1480	160	3.2	D300- 65 P	7	185	51.39	329	69	1480	355	3.0
		155	43	210	75			280			77.78	301	77	4.7			
		185	51.4	192.5	75			335			93.06	266	75	6.0			
MD216- 25 P	8	100	27.8	260	64	1480	200	3.2	MD300- 65 P	8	185	51.39	376	69	1480	400	3.0
		155	43	240	75			280			77.78	344	77	4.7			
		185	51.4	220	75			335			93.06	304	75	6.0			
D280- 43 P	9	100	27.8	292.5	64	2950	200	3.2	D300- 65 P	9	185	51.39	423	69	1480	450	3.0
		155	43	270	75			280			77.78	387	77	4.7			
		185	51.4	247.5	75			335			93.06	342	75	6.0			
MD280- 43 P	10	100	27.8	325	64	2950	220	3.2	MD300- 65 P	10	185	51.39	470	69	1480	560	3.0
		155	43	300	75			280			77.78	430	77	4.7			
		185	51.4	275	75			335			93.06	380	75	6.0			
D280- 65 P	11	100	27.8	357.5	64	2950	250	3.2	D300- 65 P	11	210	58.33	209.1	64	1480	280	2.2
		155	43	330	75			280			77.78	198.75	73.9	3.35			
		185	51.4	302.5	75			340			94.44	184.2	71	4.3			
MD280- 65 P	12	100	27.8	390	64	2950	280	3.2	D300- 65 P	12	210	58.33	278.8	64	1480	355	2.2
		155	43	360	75			280			77.78	265	73.9	3.35			
		185	51.4	330	75			340			94.44	245.6	71	4.3			
D300- 65 P	3	100	27.8	228	64	2950	132	3.2	MD300- 65 P	3	240	66.7	204	74	1480	280	4
		155	43	201	75			280			77.78	331.25	73.9	4.2			
		185	51.4	177	72			340			94.44	307	71	5			
MD300- 65 P	4	100	27.8	304	64	2950	200	3.2	D300- 65 P	4	240	66.7	272	74	1480	355	4
		155	43	268	75			280			77.78	397.5	73.9	4.2			
		185	51.4	236	72			340			94.44	368.4	71	5			
D300- 65 P	5	100	27.8	380	64	2950	220	3.2	MD300- 65 P	5	240	66.7	340	74	1480	450	4
		155	43	335	75			280			77.78	463.75	73.9	4.2			
		185	51.4	295	72			340			94.44	429.8	71	5			
MD300- 65 P	6	100	27.8	465	64	2950	280	3.2	D300- 65 P	6	240	66.7	408	74	1480	500	4
		155	43	402	75			280			77.78	530	73.9	4.2			
		185	51.4	354	72			340			94.44	491.2	71	5			
D300- 65 P	7	100	27.8	532	64	2950	315	3.2	MD300- 65 P	7	240	66.7	476	74	1480	630	4
		155	43	469	75			280			77.78	596.25	73.9	4.2			
		185	51.4	413	72			340			94.44	552.6	71	5			
MD300- 65 P	8	100	27.8	608	64	2950	355	3.2	D300- 65 P	8	240	66.7	544	74	1480	710	4
		155	43	536	75			280			77.78	662.5	73.9	4.2			
		185	51.4	472	72			340			94.44	614	71	5			
D300- 65 P	9	100	27.8	684	64	2950	450	3.2	MD300- 65 P	9	240	66.7	612	74	1480	800	4
		155	43	603	75			280			77.78	728.8	73.9	4.2			
		185	51.4	531	72			340			94.44	675.4	71	5			
MD300- 65 P	10	100	27.8	760	64	2950	500	3.2	D300- 65 P	10	240	66.7	680	74	1480	900	4
		155	43	670	75			280			77.78	766.7	73.9	4.2			
		185	51.4	590	72			340			94.44	715.4	71	5			
D300- 65 P	3	150	41.7	88.5	72	1480	75	3.0	MD300- 65 P	3	300	83.3	195	76	1480	280	4
		216	60	75	78.2			360			100	183	74	4.2			
		260	72.2	67.5	75			360			100	244	74	5			
MD300- 65 P	4	150	41.7	118	72	1480	90	3.0	D300- 65 P	4	300	83.3	260	76	1480	355	4
		216	60	100	78.2			300			83.3	325	76	4.2			
		260	72.2	90	75			360			100	305	74	5			
D300- 65 P	5	150	41.7	147.5	72	1480	110	3.0	MD300- 65 P	5	240	66.7	340	74	1480	450	4
		216	60	125	78.2			300			83.3	390	76	4.2			
		260	72.2	112.5	75			360			100	366	74	5			
MD300- 65 P	6	150	41.7	177	72	1480	132	3.0	D300- 65 P	6	240	66.7	408	74	1480	500	4
		216	60	150	78.2			300			83.3	455	76	4.2			
		260	72.2	135	75			360			100	427	74	5			
D300- 65 P	7	150	41.7	206.5	72	1480	160	3.0	MD300- 65 P	7	240	66.7	476	74	1480	630	4
		216	60	175	78.2			300			83.3	455	76	4.2			
		260	72.2	157.5	75			360			100	488	74	5			
MD300- 65 P	8	150	41.7	236	72	1480	185	3.0	D300- 65 P	8	240	66.7	544	74	1480	710	4
		216	60	200	78.2			300			83.3	520	76	4.2			
		260	72.2	180	75			360			100	549	74	5			
D300- 65 P	9	150	41.7	265.5	72	1480	200	3.0	MD300- 65 P	9	240	66.7	612	74	1480	800	4
		216	60	225	78.2			300			83.3	585	76	4.2			
		260	72.2	202.5	75			360			100	610	74	5			
MD300- 65 P	10	150	41.7	295	72	1480	220	3.0	D300- 65 P	10	240	66.7	680	74	1480	900	4
		216	60	250	78.2			300			83.3	650	76	4.2			
		260	72.2	225	75			360			100	671	74	5			

MD(P)

()

Model	Stage	Capacity		Head (m)	Eff (%)	Speed (r/min)	Power (kW)	(NPSH)r (m)	Model	Stage	Capacity		Head (m)	Eff (%)	Speed (r/min)	Power (kW)	(NPSH)r (m)	
		(m³/h)	(L/s)								(m³/h)	(L/s)						
D360- 40 P	3	300	83.3	126	77	1480	185	4.65	D580- 60 P	3	450	125	198	79	1480	450	5	
		360	100	120	80.4						580	161	180	82				6
		440	122.2	106.5	77						666	185	154	80				
4	300	83.3	168	77			450	125		262	79	500	5					
	360	100	160	80.4			580	161		240	82			6				
	440	122.2	142	77			666	185		205	80					7.6		
5	300	83.3	210	77			450	125		325	79	630	5					
	360	100	200	80.4			580	161		300	82			6				
	440	122.2	177.5	77			666	185		262	80					7.6		
MD360- 40 P	6	300	83.3	252	77			450		125	390	79	800				5	
		360	100	240	80.4		580	161	360	82	6							
		440	122.2	213	77		666	185	318	80		7.6						
7	300	83.3	294	77		450	125	454	79	900			5					
	360	100	280	80.4		580	161	420	82		6							
	440	122.2	248.5	77		666	185	374	80			7.6						
8	300	83.3	336	77		450	125	518	79	1000			5					
	360	100	320	80.4		580	161	480	82		6							
	440	122.2	284	77		666	185	438	80			7.6						
9	300	83.3	378	77		450	125	582	79	1250			5					
	360	100	360	80.4		580	161	540	82		6							
	440	122.2	319.5	77		666	185	502	80			7.6						
10	300	83.3	420	77		450	125	646	79	1250			5					
	360	100	400	80.4		580	161	600	82		6							
	440	122.2	355	77		666	185	558	80			7.6						
D450- 60 P	3	335	93.1	195	72	1480	355	3.8	D600- 65 P	3			450	125	210	74	1480	450
		450	125	180	79.9						600		166.7	195	80	5.0		
		500	139	171	78						720	200	162	76	5.5			
4	335	93.1	260	72			450	125		280	74	630	4.5					
	450	125	240	79.9			600	166.7		260	80			5.0				
	500	139	228	78			720	200		216	76				5.5			
MD450- 60 P	5	335	93.1	325	72			450		125	350	74	800			4.5		
		450	125	300	79.9			600		166.7	325	80		5.0				
		500	139	285	78			720		200	270	76			5.5			
6	335	93.1	390	72			450	125		420	74	900	4.5					
	450	125	360	79.9		600	166.7	390	80	5.0								
	500	139	342	78		720	200	324	76		5.5							
7	335	93.1	455	72		450	125	490	74			1120	4.5					
	450	125	420	79.9		600	166.7	455	80	5.0								
	500	139	399	78		720	200	378	76		5.5							
8	335	93.1	520	72		450	125	560	74			1250	4.5					
	450	125	480	79.9		600	166.7	520	80	5.0								
	500	139	456	78		720	200	432	76		5.5							
9	335	93.1	585	72		450	125	630	74			1400	4.5					
	450	125	540	79.9		600	166.7	585	80	5.0								
	500	139	513	78		720	200	486	76		5.5							
10	335	93.1	650	72		450	125	700	74			1600	4.5					
	450	125	600	79.9		600	166.7	650	80	5.0								
	500	139	570	78		720	200	540	76		5.5							
D500- 57 P	3	375	125	180	72	1480	355	4.4	D720- 60 P			3	550	153	198	76	1480	500
		500	139	171	79							720	200	180	80	6.2		
		550	153	162	78						850	236	162	78.5	7.1			
4	375	125	240	72			550	153		264	76	710	4.9					
	500	139	228	79			720	200		240	80			6.2				
	550	153	216	78			850	236		216	78.5				7.1			
MD500- 57 P	5	375	125	300	72			550		153	330	76	900			4.9		
		500	139	285	79			720		200	300	80		6.2				
		550	153	270	78			850		236	270	78.5			7.1			
6	375	125	360	72			550	153		396	76	1120	4.9					
	500	139	342	79		720	200	360	80	6.2								
	550	153	324	78		850	236	324	78.5		7.1							
7	375	125	420	72		550	153	462	76			1250	4.9					
	500	139	399	79		720	200	420	80	6.2								
	550	153	378	78		850	236	378	78.5		7.1							
8	375	125	480	72		550	153	528	76			1400	4.9					
	500	139	456	79		720	200	480	80	6.2								
	550	153	432	78		850	236	432	78.5		7.1							
9	375	125	540	72		550	153	594	76			1600	4.9					
	500	139	513	79		720	200	540	80	6.2								
	550	153	486	78		850	236	486	78.5		7.1							
10	375	125	600	72		550	153	660	76			1800	4.9					
	500	139	570	79		720	200	600	80	6.2								
	550	153	540	78		850	236	540	78.5		7.1							
D800- 60 P	3	600	167	198	76	1480	355	4.4	D800- 60 P			3	600	167	198	76	1480	630
		800	222	180	80							800	222	180	80	6.8		
		960	267	162	78.5						960	267	162	78.5	7.8			
4	600	167	264	76			600	167		264	76	800	5.2					
	800	222	240	80			800	222		240	80			6.8				
	960	267	216	78.5			960	267		216	78.5				7.8			
MD800- 60 P	5	600	167	330	76			600		167	330	76	1000			5.2		
		800	222	300	80			800		222	300	80		6.8				
		960	267	270	78.5			960		267	270	78.5			7.8			
6	600	167	396	76			600	167		396	76	1250	5.2					
	800	222	360	80		800	222	360	80	6.8								
	960	267	324	78.5		960	267	324	78.5		7.8							
7	600	167	462	76		600	167	462	76			1400	5.2					
	800	222	420	80		800	222	420	80	6.8								
	960	267	378	78.5		960	267	378	78.5		7.8							
8	600	167	528	76		600	167	528	76			1600	5.2					
	800	222	480	80		800	222	480	80	6.8								
	960	267	432	78.5		960	267	432	78.5		7.8							
9	600	167	594	76		600	167	594	76			1800	5.2					
	800	222	540	80		800	222	540	80	6.8								
	960	267	486	78.5		960	267	486	78.5		7.8							
10	600	167	660	76		600	167	660	76			2000	5.2					
	800	222	600	80		800	222	600	80	6.8								
	960	267	540	78.5		960	267	540	78.5		7.8							

MD(SSP)

产品概述

ZL201420400919.5

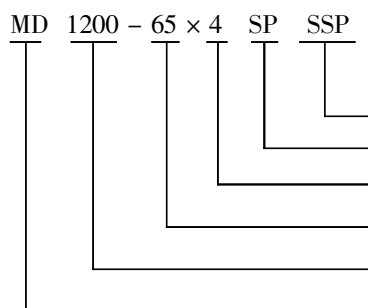
80°C

性能范围

840-2000m³/h

120-1000m

型号意义



Model	Stage	Capacity		Head (m)	Eff (%)	Speed (r/min)	KW		(NPSH) _r (m)
		(m ³ /h)	(L/s)				P	Power	
D840-93 SP	2	630	175	184	69	1480	457.5	630	4.5
		840	233	164	76		493.6		5.2
		960	267	160	75		557.7		5.8
	3	630	175	286	69		711.1	1000	4.5
		840	233	260	76		782.6		5.2
		960	267	250	75		871.5		5.8
	4	630	175	388	69		965	1250	4.5
		840	233	356	76		1071		5.2
		960	267	340	75		1185		5.8
	5	630	175	490	69		1218	1600	4.5
		840	233	452	76		1360		5.2
		960	267	430	75		1498		5.8
6	630	175	592	69	1472	2000	4.5		
	840	233	548	76	1649		5.2		
	960	267	520	75	1812		5.8		
D900-60 SP	2	670	186	130	72	1480	329	500	3.8
		900	250	120	79.9		372		4.9
		1000	278	114	78		398		6
	3	670	186	195	72		494	710	3.8
		900	250	180	79.9		558		4.9
		1000	278	171	78		597		6
	4	670	186	260	72		659	900	3.8
		900	250	240	79.9		745		4.9
		1000	278	228	78		796		6
	5	670	186	325	72		824	1120	3.8
		900	250	300	79.9		931		4.9
		1000	278	285	78		995		6
D900-60 SSP	2	670	186	130	72	1480	329	500	2.1
		900	250	120	79.9		372		2.6
		1000	278	114	78		398		3.0
	3	670	186	195	72		494	710	2.1
		900	250	180	79.9		558		2.6
		1000	278	171	78		597		3.0
	4	670	186	260	72		659	900	2.1
		900	250	240	79.9		745		2.6
		1000	278	228	78		796		3.0
	5	670	186	325	72		824	1120	2.1
		900	250	300	79.9		931		2.6
		1000	278	285	78		995		3.0

Model	Stage	Capacity		Head (m)	Eff (%)	Speed (r/min)	KW		(NPSH) _r (m)
		(m ³ /h)	(L/s)				P	Power	
D840-93 SSP	2	630	175	184	69	1480	457.5	630	3.0
		840	233	164	76		493.6		3.2
		960	267	160	75		557.7		4.2
	3	630	175	286	69		711.1	1000	3.0
		840	233	260	76		782.6		3.2
		960	267	250	75		871.5		4.2
	4	630	175	388	69		965	1250	3.0
		840	233	356	76		1071		3.2
		960	267	340	75		1185		4.2
	5	630	175	490	69		1218	1600	3.0
		840	233	452	76		1360		3.2
		960	267	430	75		1498		4.2
6	630	175	592	69	1472	2000	3.0		
	840	233	548	76	1649		3.2		
	960	267	520	75	1812		4.2		
D1000-57 SP	2	750	208	120	72	1480	340	500	4.4
		1000	278	114	81.2		393		5.0
		1100	306	108	78		415		5.8
	3	750	208	180	72		511	710	4.4
		1000	278	171	81.2		589		5.0
		1100	306	162	78		622		5.8
	4	750	208	240	72		681	900	4.4
		1000	278	228	81.2		786		5.0
		1100	306	216	78		830		5.8
	5	750	208	300	72		851	1120	4.4
		1000	278	285	81.2		982		5.0
		1100	306	270	78		1037		5.8
D1000-57 SSP	2	750	208	120	72	1480	340	500	2.4
		1000	278	114	81.2		393		2.8
		1100	306	108	78		415		3.2
	3	750	208	180	72		511	710	2.4
		1000	278	171	81.2		589		2.8
		1100	306	162	78		622		3.2
	4	750	208	240	72		681	900	2.4
		1000	278	228	81.2		786		2.8
		1100	306	216	78		830		3.2
	5	750	208	300	72		851	1120	2.4
		1000	278	285	81.2		982		2.8
		1100	306	270	78		1037		3.2

MD(SSP)

Model	Stage	Capacity		Head (m)	Eff (%)	Speed (r/min)	KW		(NPSH) _r (m)
		(m ³ /h)	(L/s)				P	Power	
D1200-65 SP	2	900	208	140	74	1480	464	630	4.5
		1200	278	130	81.8		531		5.0
		1440	306	108	76		557		5.5
	3	900	208	210	74		696	900	4.5
1200		278	195	81.8	797	5.0	5.0		
4	900	208	280	74	927	1250	4.5		
	1200	278	260	81.8	1062	5.0	5.5		
5	900	208	350	74	1159	1600	4.5		
	1200	278	325	81.8	1328	5.0	5.5		
1440	900	208	270	76	1393	5.5			
	D1200-65 SSP	2	900	208	140	74	1480	464	630
1200			278	130	81.8	531		3.2	
1440			306	108	76	557		3.9	
3		900	208	210	74	696		900	2.6
	1200	278	195	81.8	797	3.2	3.2		
4	900	208	280	74	927	1250	2.6		
	1200	278	260	81.8	1062	3.2	3.9		
5	900	208	350	74	1159	1600	2.6		
	1200	278	325	81.8	1328	3.2	3.9		
1440	900	208	270	76	1393	3.9			
	D1260-125 SP	2	850	236	280	70	1480	926	1400
1260			350	250	80	1072		5.3	
1660			461	200	73	1238		5.8	
3		850	236	420	70	1389		2000	4.8
	1260	350	375	80	1608	5.3	5.3		
4	850	236	560	70	1852	2500	4.8		
	1260	350	500	80	2145	5.3	5.8		
5	850	236	700	70	2314	3150	4.8		
	1260	350	625	80	2680	5.3	5.8		
1660	850	236	500	73	3096	5.8			
	D1260-125 SSP	2	850	236	280	70	1480	926	1400
1260			350	250	80	1072		3.5	
1660			461	200	73	1238		3.8	
3		850	236	420	70	1389		2000	3.0
	1260	350	375	80	1608	3.5	3.8		
4	850	236	560	70	1852	2500	3.0		
	1260	350	500	80	2145	3.5	3.8		
5	850	236	700	70	2314	3150	3.0		
	1260	350	625	80	2680	3.5	3.8		
1660	850	236	500	73	3096	3.8			
	D1440-60 SP	2	1100	306	132	76	1480	520	710
1440			400	120	83.5	588		6.2	
1700			472	108	78.5	637		7.1	
3		1100	306	198	76	780		1120	4.9
	1440	400	180	83.5	882	6.2	7.1		
4	1100	306	264	76	1041	1400	4.9		
	1440	400	240	83.5	1176	6.2	7.1		
5	1100	306	330	76	1301	1800	4.9		
	1440	400	300	83.5	1471	6.2	7.1		
1700	1100	306	270	78.5	1592	7.1			
	D1440-60 SSP	2	1100	306	132	76	1480	520	710
1440			400	120	83.5	588		3.8	
1700			472	108	78.5	637		4.5	
3		1100	306	198	76	780		1120	3.0
	1440	400	180	83.5	882	3.8	4.5		
4	1100	306	264	76	1041	1400	3.0		
	1440	400	240	83.5	1176	3.8	4.5		
5	1100	306	330	76	1301	1800	3.0		
	1440	400	300	83.5	1471	3.8	4.5		
1700	1100	306	270	78.5	1592	4.5			
	D1600-60 SP	2	1200	333	132	76	1480	568	800
1600			444	120	84	654		6.8	
1920			533	108	78.5	719		7.8	
3		1200	333	198	76	851		1250	5.2
	1600	444	180	84	980	6.8	7.8		
4	1200	333	264	76	1135	1600	5.2		
	1600	444	240	84	1307	6.8	7.8		
5	1200	333	330	76	1419	2000	5.2		
	1600	444	300	84	1634	6.8	7.8		
1920	1200	333	270	78.5	1798	7.8			
	D1600-60 SSP	2	1200	333	132	76	1480	568	800
1600			444	120	84	654		4.2	
1920			533	108	78.5	719		5.0	
3		1200	333	198	76	851		1250	3.0
	1600	444	180	84	980	4.2	5.0		
4	1200	333	264	76	1135	1600	3.0		
	1600	444	240	84	1307	4.2	5.0		
5	1200	333	330	76	1419	2000	3.0		
	1600	444	300	84	1634	4.2	5.0		
1920	1200	333	270	78.5	1798	5.0			

ZDG、DG

产品概述

160°C (ZDG) 105°C)

性能范围

$Q=36-180\text{m}^3/\text{h}$

$H=409-1056\text{m}$ $H=270-672\text{m}$ ZDG

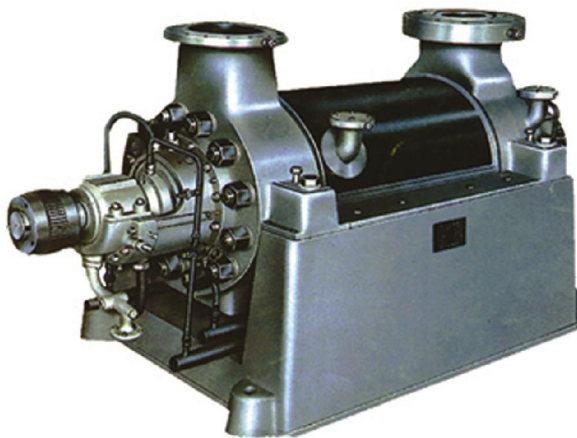
结构说明

本型泵是单壳体节段式多级离心泵。其吸入口和吐出口均垂直向上。前段、中段和后段用穿杠联接成一体,各段之间静止结合面主要靠金属面密封外,并设有 O 型胶圈作为辅助密封。

轴封

DG45-80 DG85-80

轴承和平衡装置



材 料

(ZDG)
(DG150-100)
(ZDG)
(ZDG)
(ZDG)

ZDG、DG

	Q (m³/h)	H (m)	n (r/min)	(KW)		η (%)	(NPSH) _r (m)	D (mm)	(kg)
4ZDG× 6	46	300	2950	56.95	75	66	3.62	210	1050
4ZDG× 7	46	358	2950	66.44	90	66	3.62	210	1080
4ZDG× 8	46	400	2950	75.83	110	66	3.62	210	1110
4ZDG× 9	46	450	2950	85.42	132	66	3.62	210	1140
4ZDG× 10	46	500	2950	94.4	132	66	3.62	210	1170
5ZDG× 5	85	335	2950	122	132	64	7.5	230	1334
5ZDG× 6	85	402	2950	146	160	64	7.5	230	1364
5ZDG× 7	85	469	2950	170	200	64	7.5	230	1421
5ZDG× 8	85	536	2950	194	220	64	7.5	230	1450
5ZDG× 9	85	603	2950	218	280	64	7.5	230	1490
6ZDG× 5	155	335	2950	193	220	73	5.0	240	1840
6ZDG× 6	155	402	2950	232.6	280	73	5.0	240	2023
6ZDG× 7	155	469	2950	271.4	355	73	5.0	240	2076
6ZDG× 8	155	536	2950	310.1	450	73	5.0	240	2254
6ZDG× 9	155	603	2950	348.9	450	73	5.0	240	2307
DG45- 80× 6	36 45 62	502 480 409	2950	98.4 107 123.3	132	50 58 56	3.9 4.0 4.5	260	915
DG45- 80× 7	36 45 62	585.6 560 477.2	2950	114.8 124.8 143.9	160	50 58 56	3.9 4.0 4.5	260	983
DG45- 80× 8	36 45 62	669.2 640 545.4	2950	131.2 142.6 164.4	160	50 58 56	3.9 4.0 4.5	260	1051
DG45- 80× 9	36 45 62	752.8 720 613.6	2950	147.6 160.4 186	200	50 58 56	3.9 4.0 4.5	260	1119
DG45- 80× 10	36 45 62	836.4 800 681.8	2950	164 178.3 205.3	200	50 58 56	3.9 4.0 4.5	260	1187
DG45- 80× 11	36 45 62	920 880 750	2950	180.4 196.1 225.9	250	50 58 56	3.9 4.0 4.5	260	1255
DG45- 80× 12	36 45 62	1003.6 960 818.2	2950	196.8 213.9 246.7	280	50 58 56	3.9 4.0 4.5	260	1323
DG85- 80× 7	54 85 108	616 560 490	2950	170.9 199.3 218.4	250	53 67 66	4.5 4.4 5.3	250	1567
DG85- 80× 8	54 85 108	704 640 560	2950	195.3 227.8 249.6	280	53 67 66	4.5 4.4 5.3	250	1640
DG85- 80× 9	54 85 108	792 720 630	2950	219.8 256.3 280.7	355	53 67 66	4.5 4.4 5.3	250	1713
DG85- 80× 10	54 85 108	880 800 700	2950	244.2 284.8 311.9	355	53 67 66	4.5 4.4 5.3	250	1786
DG85- 80× 11	54 85 108	968 880 770	2950	268.6 313.2 343	400	53 67 66	4.5 4.4 5.3	250	1859
DG85- 80× 12	54 85 108	1056 960 840	2950	293 341.7 374.3	400	53 67 66	4.5 4.4 5.3	250	1932
DG150- 100× 6	150	591	2950	345	400	71.2	4.8	275	2735
DG150- 100× 7	150	689.5	2950	402.5	500	71.2	4.8	275	2885
DG150- 100× 8	150	788	2950	460	630	71.2	4.8	275	3035
DG150- 100× 9	150	886.5	2950	517.5	630	71.2	4.8	275	3185
DG150- 100× 10	150	985	2950	575	710	71.2	4.8	275	3335

S (R) 、 Sh (R)

产品概述

S Sh

80℃

SR

104℃

S、Sh 型为卧式结构,也可以根据客户要求做成立式结构。

性能范围

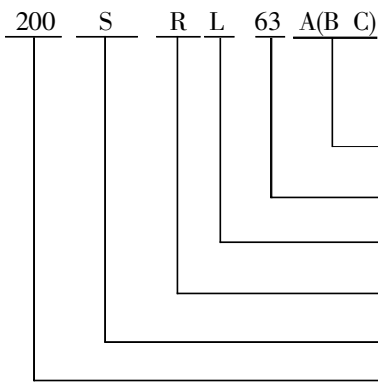
120-20000m³/h

12-150m

结构特点

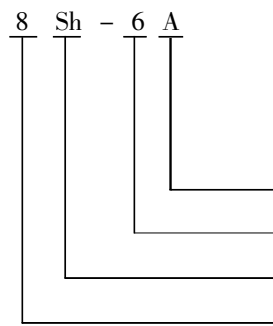
S Sh

型号意义



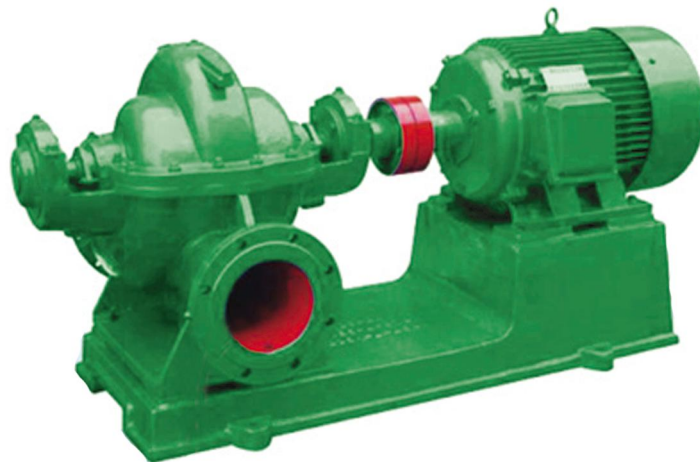
()
(m)

(mm)



1/10

吋



S

S (R) 、 Sh (R)

Model	Capacity		Head (m)	Eff (%)	Speed (r/min)	Power (kW)	(NPSH) _r (m)	Model	Capacity		Head (m)	Eff (%)	Speed (r/min)	Power (kW)	(NPSH) _r (m)
	(m ³ /h)	(L/s)							(m ³ /h)	(L/s)					
150S R 78 6Sh R - 6	126 160 198	35 44.4 55	84 78 70	72 75 74	2950	55	5.9	250S R 150 10Sh R - 7	360 500 600	100 138.89 166.67	163 150 138	69 78 73	2950	315	5.0 5.7 7.0
150S R 78A 6Sh R - 6A	112 144 180	31 40 50	67 62 55	68 72 70	2950	45	5.9	250S R 150A 10Sh R - 7A	350 485 570	97.22 134.72 158.33	145 135 124	67 76 71	2950	280	5.0 5.7 7.0
150S R 50 6Sh R - 9	130 160 220	36.1 44.4 61.1	52 50 40	72.9 80 77.2	2950	37	3.9	250S R 150B 10Sh R - 7B	335 460 540	93.06 127.78 150	130 121 112	66 74 70	2950	250	5.0 5.7 7.0
150S R 50A 6Sh R - 9A	112 144 180	31.1 40 50	44 40 35	72.5 75 70	2950	30	3.9	300S R 90 12Sh R - 6	590 790 936	164 219 260	93 90 82	74 80 75	1480	315	5.8
150S R 50B 6Sh R - 9B	108 133 160	30 36.9 44.4	38 36 32	65 70 72	2950	22	3.9	300S R 90A 12Sh R - 6A	576 756 918	160 210 255	86 78 70	71 74 71	1480	280	5.8
200S R 95 8Sh R - 6	183 280 324	50.8 77.78 90	103 95 87	62 79.2 76.8	2950	110	5.3	300S R 90B 12Sh R - 6B	540 720 900	150 200 250	72 67 57	70 73 70	1480	220	5.8
200S R 95A 8Sh R - 6A	198 270 310	55 75 86	82 75 68	68 75 74	2950	90	5.3	300S R 58 12Sh R - 9	576 790 972	160 219 270	65 58 50	75 84 80	1480	200	5.8
200S R 63 8Sh R - 9	216 280 351	60 77.78 97.5	69 63 50	73.7 81 70.5	2950	75	5.4	300S R 58A 12Sh R - 9A	529 720 893	147 200 248	55 49 42	80 81 78	1480	160	5.8
200S R 63A 8Sh R - 9A	180 270 324	50 75 90	54.5 46 37.5	65 70 65	2950	55	5.4	300S R 58B 12Sh R - 9B	504 684 835	140 190 232	47.2 43 37	73 80 78	1480	132	5.8
200S R 42 8Sh R - 13	216 280 342	60 77.78 95	48 42 35	81 85 81	2950	45	5.4	300S R 32 12Sh R - 13	612 790 900	170 219 250	38 32 28	83 87 80	1480	90	5.8
200S R 42A 8Sh R - 13A	198 270 310	55 75 86	43 36 31	76 80 76	2950	37	5.4	300S R 32A 12Sh R - 13A	537 702 790	149.2 195 219.4	29.5 24.7 22.8	80 84 78	1480	75	5.8
200S R 72 8Sh R - 4	102 300 377	28.3 83.3 104.7	84 72 64	50 78 75	1480	110	5 5.1 5.5	300S R 19 12Sh R - 19	612 790 935	170 219 260	22 19 14	80 87 75	1480	55	5.8
200S R 72A 8Sh R - 4A	98 280 340	27.2 77.8 94.4	78 65 56	48 76 73	1480	90	5 5.1 5.5	300S R 19A 12Sh R - 19A	485 693 798	134.7 192.5 221.7	18.5 14.8 12.1	71 80 75	1480	45	5.8
250S R 65 10Sh R - 6	360 485 612	100 134.7 170	71 65 56	75 79 72	1480	132	6.7	300S R 12 12Sh R - 28	612 790 900	170 219 250	14.5 12 10	80 83 74	1480	37	5.8
250S R 65A 10Sh R - 6A	338 462 535	93.8 128.3 148.6	60 53 49	74 77 75	1480	110	6.7	300S R 12A 12Sh R - 28A	515 675 781	143.1 187.5 216.9	11.5 9.7 8.5	73 78 76	1480	30	5.8
250S R 39 10Sh R - 9	360 485 612	100 134.7 170	42.5 39 32.5	76 83 79	1480	75	6.7	350S R 125 14Sh R - 6	850 1260 1660	236 350 461	140 125 100	70 81 72.5	1480	630	5.3
250S R 39A 10Sh R - 9A	324 468 576	90 130 160	35.5 30.5 25	74 79 77	1480	55	6.7	350S R 125A 14Sh R - 6A	787 1157 1538	219 321 427.2	120 107 86	70 77 72.5	1480	560	5.3
250S R 24 10Sh R - 13	360 485 576	100 134.7 170	27 24 19	80 86 82	1480	45	6.7	350S R 125B 14Sh R - 6B	697 1027 1363	194 285 379	94 84 67	70 77 72.5	1480	400	5.3
250S R 24A 10Sh R - 13A	342 414 482	95 115 134	22.2 20.3 17.4	80 83 80	1480	37	6.7	350S R 75 14Sh R - 9	972 1260 1440	270 350 400	80 75 65	78 85 80	1480	355	5.3
250S R 14 10Sh R - 19	360 485 576	100 134.7 160	17.5 14 11	80 85 78	1480	30	6.7	350S R 75A 14Sh R - 9A	900 1170 1332	250 325 370	70 65 56	78 84 79	1480	280	5.3
250S R 14A 10Sh R - 19A	320 430 504	89 120 140	13.7 11 8.6	78 82 75	1480	18.5	6.7	350S R 75B 14Sh R - 9B	813 1060 1202	226 294 334	57 53 45.5	75 82 77	1480	220	5.3
250S R 100 10Sh R - 8	288 480 576	80 133 160	119 100 86	76 83 80	2950	200	5.5	350S R 44 14Sh R - 13	972 1260 1476	270 350 410	50 44 37	81 87 79	1480	220	5.3
250S R 100A 10Sh R - 8A	264 440 528	73 122 147	105 88 74	74 82 77	2950	160	5.5	350S R 44A 14Sh R - 13A	900 1170 1332	250 325 370	42 37 31	80 84 80	1480	160	5.3
250S R 100B 10Sh R - 8B	240 400 480	67 111 133	87 70 63	72 79 76	2950	110	5.5	350S R 26 14Sh R - 19	972 1260 1440	270 350 400	32 26 22	85 88 82	1480	132	5.3
250S R 100C 10Sh R - 8C	210 350 420	58 97 117	73 61 52	70 76 74	2950	90	5.5	350S R 26A 14Sh R - 19A	843 1088 1264	234.2 302.2 351.1	24.7 20.4 15.7	80 83 73	1480	90	5.3

S (R) 、 Sh (R)

Model	Capacity		Head (m)	Eff (%)	Speed (r/min)	Power (kW)	(NPSH)r (m)
	(m ³ /h)	(L/s)					
350S R 16 14Sh R - 28	972 1260 1440	270 350 400	20 16 13.4	83 86 74	1480	75	5.3
350S R 16A 14Sh R - 28A	800 976 1167	222.2 268.6 324.2	13.7 11.5 8.6	74 78 70	1480	55	5.3
500S R 98 20Sh R - 6	1620 2020 2340	450 561.1 650	114 98 79	78 79.5 74	970	800	4
500S R 98A 20Sh R - 6A	1500 1872 2170	416.7 520 602.8	96 83 67	77 78.5 73	970	630	4
500S R 98B 20Sh R - 6B	1400 1746 2020	388.9 485 561.1	86 74 59	76 78 75	970	560	4
500S R 59 20Sh R - 9	1620 2020 2340	450 561.1 650	68 59 47	79 83 80	970	450	4.5
500S R 59A 20Sh R - 9A	1500 1872 2170	416.7 520 602.8	57 49 39	74 75 72	970	400	4.5
500S R 59B 20Sh R - 9B	1400 1746 2020	388.9 485 561.1	46 40 32	73 74 71	970	315	4.5
500S R 35 20Sh R - 13	1620 2020 2340	450 561.1 650	40 35 28	85 88 85	970	280	4.8
500S R 35A 20Sh R - 13A	1400 1746 2020	288.9 485 561.1	31 27 21	82 85 84	970	220	4.8
500S R 22 20Sh R - 19	1620 2020 2340	450 561.1 650	24.5 22 19.4	72 84 80	970	185	5.2
500S R 22A 20Sh R - 19A	1400 1746 2020	388.9 485 561.1	20 17 14	74 80 72	970	132	5.2
500S R 13 20Sh R - 28	1620 2020 2340	450 561.1 650	15 13 10.4	79 83 80	970	110	5.7
600S R 22 24Sh R - 28	2520 3170 3600	700 880 1000	25 22 18	86 88 79	970	250	7
600S R 22A 24Sh R - 28A	2280 2880 3300	633 800 917	21.5 18 14	85 87 78	970	185	7

Model	Capacity		Head (m)	Eff (%)	Speed (r/min)	Power (kW)	(NPSH)r (m)
	(m ³ /h)	(L/s)					
600S R 32 24Sh R - 19	2700 3240 3600	750 900 1000	33.5 32 26	85 89 84	970	400	6.4
600S R 32A 24Sh R - 19A	2520 3000 3165	700 834 880	25.5 23 19.2	85 89 84	970	250	6.4
600S R 47 24Sh R - 13	2520 3170 3600	700 800 1000	56.5 47 40.5	80 88 86	970	560	5.5 6.5 8.0
600S R 47A 24Sh R - 13A	2280 2920 3500	633 811 972	45 42 35	84 88 83	970	450	5.5 6.5 8.0
600S R 75 24Sh R - 9	2592 3060 3600	720 850 1000	78 75 69	87 88 80	970	900	8
600S R 75A 24Sh R - 9A	2338 3084 3248	500 857 900	63.5 57.8 56.2	85 90 89	970	710	8
800S R 75 32Sh R - 13	4680 6330 7200	1300 1758 2000	84 75 67.5	88 92 89.5	730	1600	9
800S R 75A 32Sh R - 13A	4470 5760 6878	1241.6 1600 1910.5	76.6 70 61.6	88 92 89	730	1400	5.4
800S R 75B 32Sh R - 13B	4320 5040 6844	1200 1680 1900	67 62 48.5	88.5 90 84	730	1250	5.2
800S R 35 32Sh R - 19	3720 4788 5368	1033.3 1330 1491.1	40.7 35.6 28.5	85 88 85	730	625	5.1
800S R 28 32Sh R - 22	5500 6010 6460	1527.7 1669.4 1794.4	32.5 28.9 25.4	84 83.5 80.4	730	740	6.8
1200S R 26 48Sh R - 22	9000 11000 12500	2500 1305.5 1347.2	28.5 26.3 23.6	80 86.8 88	485	1150	6.9
1200S R 26A 48Sh R - 22A	8500 10000 12020	2361.1 2777.7 3338.8	19.6 18.5 14.3	80.5 86 80	485	912	5.85
1400S R 25 48Sh R - 22	16950 19370 21800	4708.3 5380.5 6055.5	27.5 25 22.31	88 90.2 90.6	375	2000	8
	13580 15480 17420	3772.2 4300 4838.8	17.6 16 14.3	88 90.2 96.6	300	800	7.5
1400S R 25 48Sh R - 22A	15650 17890 20110	4347.2 4969.4 5586.1	23.4 21.3 19.2	88 90.2 96.6	375	1250	7.9

TDOS

产品概述

TDOS

ZL201420400917.6

ISO9001

用途

104℃

运行数据

65~20600m³/h

H=12.3~217m

2950 1480 980 725 590 490 372r/min

:380V 6kV 10kV

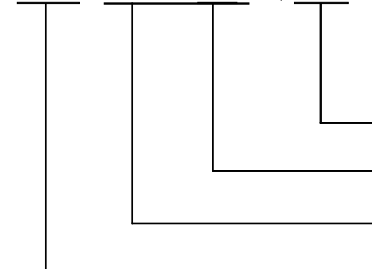
DN=80~1400mm

2.5MPa



型号意义

TDOS 300 - 560A (B C)



A(B C)
mm
mm

结构说明

TDSH

	Q m ³ /h)	H (m)	n %	%	P(kW)		NPSH _r (m)	D _s mm	kg
80- 210A	82.8	13.8	1480	82	3.8	5.5	2.1	125	181
	163.8	55	2950	82	29.9	37	5.1	125	
80- 210B	65.2	12.8	1480	81	2.8	4	2.2	125	
	133.6	51	2950	81	22.9	30	4	125	
80- 270A	103.7	22.5	1480	78.5	8.1	11	2.8	125	194
	205.2	90	2950	79	63.7	75	7.0	125	
80- 270B	85.3	20.7	1480	77	6.2	7.5	2.4	125	
	171	82.5	2950	77	49.9	75	7.0	125	
80- 280B	146.7	60	2950	75.2	31.9	45	6.8	125	194
80- 370A	113.4	38.8	1480	71.5	16.7	22	2.8	125	204
80- 370B	99	35.5	1480	73	13.1	15	3.0	125	
100- 250A	144	18.8	1480	82.5	8.9	11	2.9	150	207
	244.8	79	2950	82	64.2	90	9.0	150	
100- 250B	122.4	17	1480	81.5	7	11	2.4	150	
	244.8	68	2950	81.5	55.6	75	8.6	150	
100- 310A	184.7	31.2	1480	80	19.6	22	3.1	150	223
	367.2	123	2950	80	153.8	200	13.7	150	
100- 310B	140.4	29.5	1480	78	14.1	18.5	2.7	150	
	282.6	109	2950	78	117.4	132	10.2	150	
100- 375A	184.5	52	1480	73	33.5	45	3.0	150	241
100- 375B	162	52	1480	72	31.4	37	3.6	150	
125- 230A	273.6	14.8	1480	85.5	15.3	18.5	2.3	200	249
	532.7	60	2950	85.5	101.8	132	9.9	200	
125- 230B	255.6	15.1	1480	84.5	12.4	15	2.7	200	
	471.6	60.5	2950	84.5	92	110	12.1	200	
125- 290A	269	27	1480	84	23.6	30	2.4	200	274
	532.8	108	2950	84	186.6	220	10.9	200	
125- 290B	241.2	25	1480	83	19.8	30	2.4	200	
	478.8	100	2950	83	157.1	200	10.9	200	
125- 365A	309.6	47	1480	80	49.5	75	2.6	200	298
125- 365B	277.2	43	1480	79	41.1	55	2.9	200	
125- 500A	327.6	76	1480	80	84.8	110	2.8	200	331
125- 500B	293.4	69.5	1480	79	70.3	90	3.2	200	
150- 290	396	24	1480	86	28	45	3.0	200	347
150- 290A	442.8	21	1480	87	29.1	37	2.9	200	
150- 290B	396	20.4	1480	86	25.6	30	3.0	200	
150- 360A	446.4	38	1480	85	54.3	75	3.0	200	359
150- 360B	406.8	35	1480	84	46.2	55	3.0	200	
150- 460A	514.8	66	1480	82	112.8	132	3.5	200	436

TDSH

	Q m ³ /h	H (m)	n		P(kW)		NPSH _r (m)	D _s mm	kg
			%	%					
150- 460C	399.6	55	1480	81	73.9	90	3.9	200	
150- 605A	583.2	105	1480	80	203.4	250	4.2	200	646
150- 605B	536.4	90	1480	79	166.4	200	4.7	200	
200- 320A	694.8	30	1480	87.5	64.9	75	3.8	250	450
200- 320B	637.2	28	1480	86.5	56.2	75	3.0	250	
200- 420A	709.2	52	1480	86.5	116.1	132	3.9	250	517
200- 420B	648	48	1480	85.5	99.1	110	3.5	250	
200- 520A	817.2	91	1480	82	244	280	4.0	250	840
200- 520B	734.4	81.7	1480	83	199.3	250	3.5	250	
200- 520C	842.4	65	1480	83	179.7	220	3.5	250	
200- 670A	792	150	1480	80	404.4	450	3.6	250	990
200- 670B	774	132	1480	80	347.8	400	3.6	250	
250- 370A	1051	39	1480	88	126.9	160	4.7	300	665
250- 370B	1030	37	1480	87	119.2	132	4.7	300	
250- 480A	1159.2	66	1480	87	201.9	315	4.0	300	830
250- 480B	1080	54.5	1480	84	190.8	220	4.1	300	
250- 600A	1242	116	1480	84	467.1	560	4.6	300	1215
250- 600B	1044	104	1480	83	356.7	400	3.7	300	
300- 300A	1098	24.5	1480	86.9	85.2	110	5.3	350	630
300- 435A	1678	53	1480	88	275.2	315	7.1	400	905
300- 435B	1620	51.5	1480	87.5	259.6	315	6.9	400	
300- 550	1700		1480	88	326	400	7.0	400	
300- 550(l)	1792	63	1480	84.5	365.8	400	4.2	400	1425
300- 560A	1764	94	1480	86	519.7	630	5.7	400	1425
300- 560B	1548	80	1480	85.9	399.1				

TDSH

	Q m ³ /h	H (m)	n %	%	P(kW)		NPSH _r (m)	D _s mm	kg
400- 540B	2196	63.5	1480	88.4	442	500	5.6	500	
400- 620A	3150	113	1480	88.1	1127	1250	7.5	500	2760
400- 620B	2484	90	1480	87.9	708	800	6.8	500	
500- 510A	3240	25	980	89.1	254	280	5	600	1528
500- 510B	2770	22	980	88.7	193	220	4.3	600	
500- 640A	3450	42	980	89.3	446	500	5.5	600	2301
500- 640B	3000	35	980	89	329	355	5.0	600	
500- 700A	3900	65	980	89.1	780	900	5.3	600	2967
500- 700B	3000	50	980	89	470	560	5.5	600	
500- 790A	3600	80	980	89	969	1120	7.0	600	3483
500- 790B	3300	62	980	88.8	672	800	5.0	600	
500- 890A	4200	112	980	89	1439	1600	6.8	600	4659
500- 890B	3600	90	980	88.5	997	1120	5.5	600	
600- 540- A	4680	24	980	88.2	352	400	6.0	700	2725
600- 540- B	3800	20	980	87.6	254	280	6.0	700	
600- 620- A	4680	39	980	89.9	565	630	7.8	700	2961
600- 620- B	3700	33	980	89.4	382	400	6.0	700	
600- 710- A	4620	58	980	89.8	580	800	6.5	700	3427
600- 710- B	3600	54	980	89.4	600	710	5.2	700	
600- 830- A	5500	87.5	980	88.7	1570	1800	8.8	700	4700
600- 830- B	4320	66	980	89.6	882	1000	5.8	700	
700- 590- A	6500	30	980	88.7	610	710	8.0	800	4043
700- 590- B	5000	24	980	88.1	380	450	6.0	800	
700- 710- A	6480	44	980	90.3	893	1000	7.8	800	5329
700- 710- B	5680	40	980	90.1	700	800	6.8	800	
700- 820- A	7400	80	980	90.6	1812	2000	8.5	800	6075
700- 820- B	5400	60	980	90.1	1003	1120	6.5	800	
800- 740- A	9000	26	725	89.4	780	900	6.8	900	6557
800- 740- B	7200	22	725	88.8	502	560	7.2	900	
800- 840- A	9000	46	725	90.9	1282	1400	6.3	900	6624
800- 840- B	7560	43	725	90.6	1018	1120	6.7	900	
800- 970- A	9700	62	725	91	1840	2000	6.0	900	7809
800- 970- B	7920	52	725	90.7	1260	1400	5.8	900	
900- 1050- A	13680	56.5	590	92	2288	2500	6.2	1000	11851
400- 400	1800	15	980	87.2	85.5	110	6.0	500	
700- 700	6480	57	980	90.3	1157	1400	4.5	800	
250- 420	1046	217	2980	82.5	773	900	9.5	300	
1200- 998	16000	22	490	90	1071	1250	8	1200	15030
1400- 1188	20600	17	372	90	1060	1250	6.5	1400	17200

LC、(LCT)

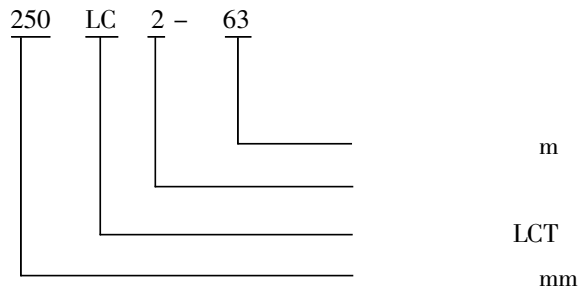
产品概述

LC LCT



用途

型号意义



Model	Capacity (m³/h)	Head (m)	Speed (r/min)	Power (kw)	D (mm)	(kg)
100LC-13	30 60 75	15.6 12.5 9.7	2950	4	124.5	1000+ 100N
100LC-20	30 60 75	24 19.9 16.7	2950	7.5	133.5	1050+ 100N
100LC-20A	27.3 54.6 68.3	19.9 16.5 13.8	2950	5.5	121.5	1050+ 100N
100LC ₂ -25	30 60 75	31.2 25 26.4	2950	7.5	124.5	1200+ 100N
100LC ₂ -32	30 60 75	39.6 32.4 26.4	2950	11	124.5 133.5	1250+ 100N
100LC ₂ -40	30 60 75	48 39.8 33.4	2950	15	133.5	1300+ 100N
100LC ₂ -60	30 60 75	72 59.7 50.1	2950	22	133.5	1400+ 100N
100LC ₂ -60A	27.3 54.6 68.3	59.6 49.4 41.5	2950	15	121.5	1400+ 100N
150LC-23	75 150 190	27.5 23 16.5	2950	18.5	169	1400+ 140N
150LC-23A	68.3 136.5 172.9	22.8 19 13.7	2950	15	154	1400+ 140N
150LC-37	75 150 190	43.7 36.6 30.3	2950	30	186	1450+ 140N
150LC-37A	68.3 136.5 172.9	36.2 30.3 25.1	2950	22	169.3	1450+ 140N
150LC ₂ -46	75 150 190	55 46 33	2950	37	169	1600+ 140N

Model	Capacity (m³/h)	Head (m)	Speed (r/min)	Power (kw)	D (mm)	(kg)
150LC ₂ -60	75 150 190	71.2 59.6 46.8	2950	45	186 169	1600+ 140N
200C-15	190 300 360	17.4 14.5 11.9	1450	22	286	1500+ 160N
200LC-23	190 300 360	26.8 23 20.2	1450	37	296	1550+ 160N
200LC ₂ -23A	172.9 273 327.6	22.2 19 16.7	1450	30	269.4	1550+ 160N
200LC ₂ -29	190 300 360	34.8 29 23.8	1450	45	268	1770+ 160N
200LC ₂ -37A	172.5 270 324	35.6 30 25.9	1450	37	260	1800+ 160N
200LC ₂ -38	190 300 360	44.2 37.5 32.1	1450	55	268 296	1800+ 160N
200LC ₂ -46	190 300 360	53.6 46.1 40.4	1450	75	296	1850+ 160N
200LC ₃ -69	190 300 360	80.4 69 60.6	1450	110	296	2000+ 160N
200LC ₃ -69A	172.9 273 327.6	66.6 57 50.1	1450	90	269.4	2000+ 160N
250LC-20	360 480 540	22.8 19.8 17.8	1450	55	314	1540+ 180N
250LC-20A	327.6 436.8 491.4	18.9 16.4 14.7	1450	37	286	1540+ 180N
250LC-32	360 480 540	35.5 31.5 29.1	1450	75	346	1600+ 180N

LC、(LCT)

Model	Capacity (m³/h)	Head (m)	Speed (r/min)	Power (kw)	D (mm)	(kg)
250LC- 32A	327.6 436.8 491.4	29.4 26.1 24.1	1450	55	315	1600+ 180N
250LC ₂ - 40	360 480 540	45.6 39.6 35.6	1450	90	314	1600+ 180N
250LC ₂ - 51	360 480 540	58.3 51.4 46.9	1450	132	314 346	1800+ 180N
250LC ₂ - 63	360 480 540	71 63 58.2	1450	160	346	1850+ 180N
300LC- 25	540 660 750	27.5 24.5 21.6	1450	90	348	1800+ 300N
300LC- 25A	491.4 600.6 682.5	22.8 20.3 17.9	1450	75	316.7	1800+ 300N
300LC- 39	540 660 750	42.7 39 35.6	1450	132	385	1850+ 300N
300LC- 39A	491.4 600.6 682.5	35.4 32.3 29.5	1450	110	350.4	1850+ 300N
300LC ₂ - 49	540 660 750	55 49 43.2	1450	160	348	2150+ 300N
300LC ₂ - 64	540 660 750	70.2 63.5 57.2	1450	200	348 385	2300+ 600N
350LC- 19	750 900 1050	22.2 19.3 16.1	1450	90	334	2250+ 600N
350LC- 19A	713 855 998	20 17.4 14.5	1450	75	317	2300+ 600N
350LC- 30	750 900 1050	33.5 30.2 25.5	1450	160	387	2600+ 650N
350LC- 30A	713 855 998	30.2 27.3 23	1450	132	367	2600+ 650N
350LC- 30B	675 810 945	27.1 24.5 20.7	1450	110	348	2600+ 650N
350LC- 48	750 900 1050	51.8 47.9 42.5	1450	220	426	2700+ 650N
350LC- 48A	713 855 998	46.7 43.2 38.4	1450	200	405	2700+ 650N
350LC- 48B	675 810 945	42 38.8 34.4	1450	185	384	2700+ 650N
350LC ₂ - 60	750 900 1050	67 60.4 51	1450	280	387	3250+ 650N
350LC ₂ - 60A	713 655 998	6.5 54.5 46	1450	250	367	3250+ 650N
400LC- 25	1050 1320 1500	28.3 25 22	1450	160	380	2700+ 700N
400LC- 25A	998 1254 1425	25.5 22.6 19.9	1450	132	361	2700+ 700N

Model	Capacity (m³/h)	Head (m)	Speed (r/min)	Power (kw)	D (mm)	(kg)
400LC- 39	1050 1320 1500	44.3 39 34.3	1450	250	440	3100+ 700N
400LC- 39A	998 1254 1425	40 35.2 31	1450	200	418	3100+ 700N
400LC- 39B	945 1188 1350	35.9 31.6 27.8	1450	185	396	3100+ 700N
400LC- 62	1050 1320 1500	68.5 61.9 56.6	1450	355	484	3300+ 700N
400LC- 62A	998 1254 1425	61.8 55.9 51.1	1450	315	460	3300+ 700N
400LC- 62B	945 1188 1350	55.5 50.1 45.8	1450	280	436	3300+ 700N
450LC- 17	1500 1740 1920	19.7 17.4 15.7	970	160	477	3280+ 650N
450LC- 17A	1425 1653 1824	17.8 15.7 14.2	970	132	453	3280+ 650N
450LC- 27	1500 1740 1920	29.8 27.2 25	970	220	552	3230+ 750N
450LC- 27A	1425 1653 1824	26.9 24.5 22.6	970	185	524	3430+ 750N
450LC- 27B	1350 1566 1728	24.1 22.0 20.3	970	160	497	3430+ 750N
450LC- 43	1500 1740 1920	46.2 43.1 40.5	970	315	609	3680+ 750N
450LC- 43A	1425 1653 1824	41.7 38.9 36.6	970	280	578	3680+ 750N
450LC- 43B	1350 1566 1728	37.4 34.9 32.8	970	250	548	3680+ 750N
450LC ₂ - 54	1500 1740 1920	59.6 54.4 50	970	400	552	3800+ 750N
450LC ₂ - 54A	1425 1653 1824	53.8 49.1 45.1	970	355	524	3800+ 750N
500LC- 20	1920 2160 2400	21 20 17.8	970	200	513	3800+ 830N
500LC- 20A	1824 2052 2280	19 18.1 16.1	970	185	487	3800+ 830N
500LC- 31	1920 2160 2400	34 31.4 28.5	970	315	593	4100+ 830N
500LC- 31A	1824 2052 2280	30.7 28.3 25.7	970	280	564	4100+ 830N
500LC- 31B	1728 1944 2160	27.5 25.4 23.1	970	250	534	4100+ 830N
500LC- 50	1920 2160 2400	52.8 49.8 46.1	970	500	654	4300+ 830N

LC、(LCT)

Model	Capacity (m ³ /h)	Head (m)	Speed (r/min)	Power (kw)	D (mm)	(kg)
500LC- 50A	1824 2052 2280	47.7 44.9 41.6	970	450	622	4300+ 830N
500LC- 50B	1728 1944 2160	42.8 40.3 37.3	970	355	589	4300+ 830N
500LC ₂ - 63	1920 2160 2400	68 62.8 57	970	560	593	4700+ 830N
500LC ₂ - 63A	1824 2052 2280	61.4 56.7 51.4	970	500	564	4700+ 830N
600LC- 25	2400 3000 3420	29.7 25 21.6	970	315	572	4800+ 695N
600LC- 25A	2280 2850 3249	26.8 22.6 19.5	970	280	543	4800+ 695N
600LC- 39	2400 3000 3420	43.9 39 34.3	970	500	662	5340+ 695N
600LC- 39A	2280 2850 3249	39.6 35.2 31	970	450	629	5340+ 695N
600LC- 39B	2160 2700 3078	35.6 31.6 27.8	970	355	596	5340+ 695N
600LC- 62	2400 3000 3420	68.2 62 56.7	970	710	730	5440+ 965N
600LC- 62A	2280 2850 3249	61.6 56.0 51.1	970	630	694	5440+ 965N
600LC- 62B	2160 2700 3078	55.3 50.2 45.9	970	560	657	
700LC- 20	3240 3900 4380	22.6 20.3 17.9	730	400	825	
700LC- 20A	3249 3705 4161	20.4 19.3 16.2	730	315	784	
700LC- 32	3240 3900 4380	33.4 31.7 27.3	730	500	795	
700LC- 32A	3249 3705 4161	30.1 28.6 24.6	730	450	755	
700LC- 32B	3078 3510 3942	27.1 25.7 22.1	730	400	716	
700LC- 50	3420 3900 4380	53.6 50.3 46.3	730	800	877	
700LC- 50A	3249 3705 4161	48.4 45.4 41.8	730	710	833	
700LC- 50B	3078 3510 3942	43.4 40.7 37.5	730	560	789	
800LC- 24	4380 5100 5600	27.4 24.3 22	730	500	751	
800LC- 24A	4161 4845 5320	24.7 21.9 19.9	730	450	714	

Model	Capacity (m ³ /h)	Head (m)	Speed (r/min)	Power (kw)	D (mm)	(kg)
800LC- 38	4380 5100 5600	41.4 37.9 34.8	730	710	870	
800LC- 38A	4161 4845 5320	37.4 34.2 31.4	730	630	826	
800LC28B	3942 4590 5040	33.5 30.7 28.2	730	560	783	
800LC- 60	4380 5100 5600	64.8 60.2 56.7	730	1120	959	
800LC- 60A	4161 4845 5320	58.5 54.3 51.2	730	1000	911	
800LC- 60B	3942 4590 5040	52.5 48.8 45.9	730	900	863	
900LC- 21	5600 6300 7000	22.9 20.8 18.6	590	560	867	
900LC- 21A	5320 5985 6650	20.7 18.8 16.8	590	450	824	
900LC- 33	5600 6300 7000	35.1 32.6 29.7	590	800	1004	
900LC- 33A	5320 5985 6650	31.7 29.4 26.8	590	710	954	
900LC- 33B	5040 5670 6300	28.4 26.4 24.1	590	630	903	
900LC- 52	5600 6300 7000	56.7 51.7 48.3	590	2000	1107	
900LC- 52A	5320 5985 6650	51.2 46.7 43.6	590	1600	1052	
900LC- 52B	5040 5670 6300	45.9 41.9 39.1	590	1400	996	
1000LC- 25	7000 8400 9400	29.7 25.2 22.4	590	800	955	
1000LC- 25A	6650 7980 8930	26.8 22.7 20.2	590	710	907	
1000LC- 39	7000 8400 9400	43.7 39.4 35.6	590	1250	1105	
1000LC- 39A	6650 7980 8930	39.4 35.2 32.1	590	1120	1050	
1000LC- 39B	6300 7560 8460	35.4 31.9 28.8	590	900	994	
1000LC- 63	7000 8400 9400	68.2 62.6 58.1	590	2000	1219	
1000LC- 63A	6650 7980 8930	61.6 56.5 52.4	590	2000	1158	
1000LC- 63B	6300 7560 8460	55.2 50.7 47.1	590	1600	1097	

产品概述

DL

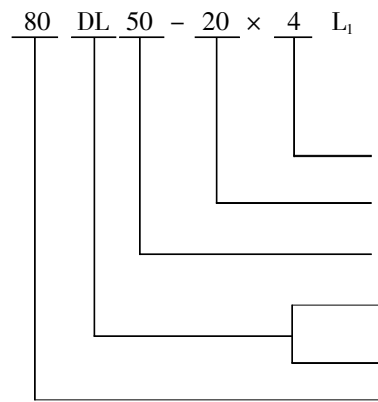
LG

DL LG

180°

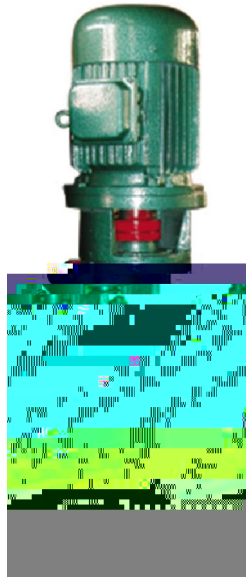
(DL LG)

性能范围



L₃

型号意义



DL



LG

主要用途

DL LG

DL LG
150°C

80°C DLR

105°C

DL、LG

Model	Stage	Capacity		Head (m)	Eff (%)	Speed (r/min)	Power (kW)	(NPSH)r (m)	Model	Stage	Capacity		Head (m)	Eff (%)	Speed (r/min)	Power (kW)	(NPSH)r (m)									
		(m³/h)	(L/s)								(m³/h)	(L/s)														
25LG3-10	2	2.4	0.67	20.8	38	2900	0.75	2.0	40LG12-15	5	9	2.50	80	55	2900	5.5	2.2	2.9	4.3							
		3.0	0.83	20	42						12	3.33	75	60												
		4.7	1.31	15.4	44						18	5.00	60	63												
	3	2.4	0.67	31.2	38		1.1	2.0			6	9	2.50	96						55	5.5	2.2	2.9	4.3		
		3.0	0.83	30	42							12	3.33	90						60						
		4.7	1.31	23.1	44					18		5.00	72	63												
	4	2.4	0.67	41.6	38		1.5	2.0		7		9	2.50	112		55	7.5	2.2	2.9	4.3						
		3.0	0.83	40	42							12	3.33	105		60										
		4.7	1.31	30.8	44						18	5.00	84	63												
	5	2.4	0.67	52	38		1.5	2.0			8	9	2.50	128		55					7.5	2.2	2.9	4.3		
		3.0	0.83	50	42							12	3.33	120		60										
		4.7	1.31	38.5	44					18		5.00	96	63												
	6	2.4	0.67	62.4	38		2.2	2.0		50LG24-20		2	18	5.00		44	67	2950	5.5	2.85					3.15	3.40
		3.0	0.83	60	42								24	6.67		40	69									
		4.7	1.31	46.2	44						30	8.33	33	64												
7	2.4	0.67	72.8	38	2.2	2.0	3	18	5.00		66	67	7.5	2.85	3.15	3.40										
	3.0	0.83	70	42				24	6.67		60	69														
	4.7	1.31	53.9	44			30	8.33	49.5		64															
8	2.4	0.67	83.2	38	2.2	2.0	4	18	5.00		88	67	11	2.85	3.15	3.40										
	3.0	0.83	80	42				24	6.67		80	69														
	4.7	1.31	61.6	44			30	8.33	66		64															
9	2.4	0.67	93.6	38	2.2	2.0	5	18	5.00		110	67	11	2.85	3.15	3.40										
	3.0	0.83	90	42				24	6.67	100	69															
	4.7	1.31	69.3	44			30	8.33	82.5	64																
10	2.4	0.67	104	38	3.0	2.0	6	18	5.00	132	67	15	2.85	3.15	3.40											
	3.0	0.83	100	42				24	6.67	120	69															
	4.7	1.31	77	44			30	8.33	99	64																
11	2.4	0.67	114.4	38	3.0	2.0	65LG36-20	2	27	7.5	45.5	70	2950	7.5	2.6	3.4	4.2									
	3.0	0.83	110	42					36	10.00	40	72.5														
	4.7	1.31	84.7	44				43.2	12.00	34	67															
12	2.4	0.67	124.8	38	4.0	2.0		3	27	7.5	68.25	70		11	2.6	3.4	4.2									
	3.0	0.83	120	42					36	10.00	60	72.5														
	4.7	1.31	92.4	44				43.2	12.00	51	67															
13	2.4	0.67	135.2	38	4.0	2.0		4	27	7.5	91	70		15	2.6	3.4	4.2									
	3.0	0.83	130	42					36	10.00	80	72.5														
	4.7	1.31	100.1	44				43.2	12.00	68	67															
14	2.4	0.67	145.6	38	4.0	2.0		5	27	7.5	113.75	70		18.5	2.6	3.4	4.2									
	3.0	0.83	140	42			36		10.00	100	72.5															
	4.7	1.31	107.8	44			43.2	12.00	85	67																
15	2.4	0.67	156	38	4.0	2.0	6	27	7.5	136.5	70	22	2.6	3.4	4.2											
	3.0	0.83	150	42				36	10.00	120	72.5															
	4.7	1.31	115.5	44			43.2	12.00	102	67																
32LG6.5-15	2	4.5	1.25	32.6	47	2900	1.5	2.0	80LG50-20	2	40	11.11	43.6	70	2950	11	3.1	3.8	5.3							
		6.5	1.81	30	53						50	13.89	40	75												
		9.5	2.64	23	50					68.4	19.00	31.7	70													
	3	4.5	1.25	48.9	47		2.2	2.0		3	40	11.11	65.4	70		15	3.1	3.8	5.3							
		6.5	1.81	45	53						50	13.89	60	75												
		9.5	2.64	34.6	50					68.4	19.00	47.5	70													
	4	4.5	1.25	65.2	47		3	2.0		4	40	11.11	87.2	70		18.5	3.1	3.8	5.3							
		6.5	1.81	60	53						50	13.89	80	75												
9.5		2.64	46	50	68.4	19.00				63.4	70															
5	4.5	1.25	81.5	47	4	2.0	5	40		11.11	109	70	22	3.1		3.8	5.3									
	6.5	1.81	75	53				50	13.89	100	75															
	9.5	2.64	57.5	50			68.4	19.00	79.25	70																
6	4.5	1.25	97.8	47	4	2.0	6	40	11.11	130.8	70	30	3.1	3.8	5.3											
	6.5	1.81	90	53				50	13.89	120	75															
	9.5	2.64	69	50			68.4	19.00	95.1	70																
7	4.5	1.25	114.1	47	5.5	2.0	40LG12-15	2	9	2.50	32	55	2900	2.2	2.9	4.3										
	6.5	1.81	105	53					12	3.33	30	60														
	9.5	2.64	80.5	50					18	5.00	24	63														
8	4.5	1.25	130.4	47	5.5	2.0		3	9	2.50	48	55		3	2.2	2.9	4.3									
	6.5	1.81	120	53					12	3.33	45	60														
	9.5	2.64	92	50				18	5.00	36	63															
40LG12-15	2	9	2.50	64	55	2.2		2.9	4.3	4	9	2.50		64	55	2.2	2.9	4.3								
		12	3.33	60	60						12	3.33		60	63											
		18	5.00	48	63						18	5.00		48	63											

DL、LG

Model	Stage	Capacity		Head (m)	Eff (%)	Speed (r/min)	Power (kW)	(NPSH)r (m)	Model	Stage	Capacity		Head (m)	Eff (%)	Speed (r/min)	Power (kW)	(NPSH)r (m)									
		(m³/h)	(L/s)								(m³/h)	(L/s)														
40DL8-10	2	6.4	1.78	20.7	44	1450	1.5	1.5	50DL15-12	2	10	2.78	26	55	1450	3	1.8									
		8.0	2.22	20.0	48						15	4.17	24	60				2.0								
		10.0	2.78	18.7	51						22	6.11	18	55				2.5								
	3	6.4	1.78	31.0	44		2.2	1.5		2.0	50DL15-12	3	10	2.78		39	55	1450	4	1.8						
		8.0	2.22	30.0	48								15	4.17		36	60				2.0					
		10.0	2.78	28	51								22	6.11		27	55				2.5					
	4	6.4	1.78	41.3	44		3.0	1.5		2.0		50DL15-12	4	10		2.78	52		55	1450	5.5	1.8				
		8.0	2.22	40.0	48									15		4.17	48		60				2.0			
		10.0	2.78	37.3	51									22		6.11	36		55				2.5			
	5	6.4	1.78	51.7	44		3.0	1.5		2.0			50DL15-12	5		10	2.78		65		55	1450	5.5	1.8		
		8.0	2.22	50.0	48											15	4.17		60		60				2.0	
		10.0	2.78	46.7	51											22	6.11		45		55				2.5	
6	6.4	1.78	62.0	44	4.0	1.5	2.0	50DL15-12	6	10				2.78	78	55	1450		7.5		1.8					
	8.0	2.22	60.0	48						15				4.17	72	60							2.0			
	10.0	2.78	56.0	51						22				6.11	54	55							2.5			
7	6.4	1.78	72.3	44	5.5	1.5	2.0		50DL15-12	7	10			2.78	91	55		1450	7.5		1.8					
	8.0	2.22	70.3	48							15			4.17	84	60							2.0			
	10.0	2.78	65.3	51							22			6.11	63	55							2.5			
8	6.4	1.78	82.7	44	5.5	1.5	2.0			50DL15-12	8	10		2.78	104	55			1450	11	1.8					
	8.0	2.22	80.0	48								15		4.17	96	60							2.0			
	10.0	2.78	74.7	51								22		6.11	72	55							2.5			
9	6.4	1.78	93.0	44	5.5	1.5	2.0				50DL15-12	9	10	2.78	117	55				1450	11	1.8				
	8.0	2.22	90	48									15	4.17	108	60							2.0			
	10.0	2.78	84.0	51									22	6.11	81	55							2.5			
10	6.4	1.78	103.3	44	7.5	1.5	2.0	50DL15-12				10	10	2.78	130	55	1450				11	1.8				
	8.0	2.22	100.0	48									15	4.17	120	60							2.0			
	10.0	2.78	93.3	51									22	6.11	90	55							2.5			
11	6.4	1.78	113.7	44	7.5	1.5	2.0		50DL15-12			11	10	2.78	143	55		1450			11	1.8				
	8.0	2.22	110	48									15	4.17	132	60							2.0			
	10.0	2.78	102.6	51									22	6.11	99	55							2.5			
12	6.4	1.78	124	44	7.5	1.5	2.0			50DL15-12		2	22	6.11	32	55			1450		5.5	4.8				
	8.0	2.22	120	48									32	8.89	30	60							5.5			
	10.0	2.78	111.9	51									42	11.67	24	55							6.5			
50DL12-12	2	9	2.50	25	50	1450	2.2				1.8	65DL32-15	3	22	6.11	48				55	1450	7.5	4.8			
		12.6	3.50	24.4	54									32	8.89	45				60				5.5		
		18	5.00	20.4	55									42	11.67	36				55				6.5		
	3	9	2.50	37.5	50		1450	3			1.8		65DL32-15	4	22	6.11	64			55		1450	11	4.8		
		12.6	3.50	36.6	54										32	8.89	60			60					5.5	
		18	5.00	30.6	55										42	11.67	48			55					6.5	
	4	9	2.50	50	50			1450	4		1.8			65DL32-15	5	22	6.11	80		55			1450	15	4.8	
		12.6	3.50	48.8	54											32	8.89	75		60						5.5
		18	5.00	40.8	55											42	11.67	60		55						6.5
	5	9	2.50	62.5	50				1450	5.5	1.8				65DL32-15	6	22	6.11	96	55				1450	15	4.8
		12.6	3.50	61	54												32	8.89	90	60						
18		5.00	51	55	42	11.67						72					55	6.5								
6	9	2.50	75	50	1450	5.5				1.8	65DL32-15	7				22	6.11	112	55	1450	18.5				4.8	
	12.6	3.50	73.2	54												32	8.89	105	60							5.5
	18	5.00	61.2	55			42						11.67			84	55	6.5								
7	9	2.50	87.5	50		1450	7.5			1.8		65DL32-15	8			22	6.11	128	55		1450	22			4.8	
	12.6	3.50	85.4	54												32	8.89	120	60							5.5
	18	5.00	71.4	55				42						11.67		96	55	6.5								
8	9	2.50	100	50			1450	7.5		1.8			65DL32-15	9		22	6.11	144	60			1450	22		4.8	
	12.6	3.50	97.6	54												32	8.89	135	65							5.5
	18	5.00	81.6	55					42						11.67	108	60	6.5								
9	9	2.50	112.5	50				1450	11	1.8				65DL32-15	10	22	6.11	160	60				1450	30	4.8	
	12.6	3.50	109.8	54												32	8.89	150	65							5.5
	18	5.00	91.8	55	42						11.67					120	60	6.5								
10	9	2.50	125	50	1450				11	1.8	65DL32-15				11	22	6.11	176	60	1450				30	4.8	
	12.6	3.50	122	54												32	8.89	165	65							5.5
	18	5.00	102	55		42						11.67				132	60	6.5								
11	9	2.50	137.5	50		1450			11	1.8		65DL32-15			12	22	6.11	192	60		1450			30	4.8	
	12.6	3.50	134.2	54												32	8.89	180	65							5.5
	18	5.00	112.2	55			42						11.67			144	60	6.5								

DL、LG

Model	Stage	Capacity		Head (m)	Eff (%)	Speed (r/min)	Power (kW)	(NPSH)r (m)	Model	Stage	Capacity		Head (m)	Eff (%)	Speed (r/min)	Power (kW)	(NPSH)r (m)
		(m³/h)	(L/s)								(m³/h)	(L/s)					
80DL50-20	2	32	8.89	43	64	1480	11	2.0	150DL160-25	2	120	33.33	53	72	1480	37	3.1
		50	13.89	40	70			50			76	3.5					
		73	20.28	32	65			200			44	73	3.8				
	3	32	8.89	64.5	64		15	2.0		3	120	33.33	80	72		55	3.1
		50	13.89	60	70			75			76	3.5					
		73	20.28	48	65			200			66	73	3.8				
	4	32	8.89	86	64		22	2.0		4	120	33.33	106	72		75	3.1
50		13.89	80	70	100	76		3.5									
73		20.28	64	65	200	88		73	3.8								
5	32	8.89	107.5	64	30	2.0	5	120	33.33	133	72	90	3.1				
	50	13.89	100	70		125		76	3.5								
	73	20.28	80	65		200		110	73	3.8							
6	32	8.89	129	64	30	2.0	6	120	33.33	159	72	110	3.1				
	50	13.89	120	70		150		76	3.5								
	73	20.28	96	65		200		132	73	3.8							
7	32	8.89	150.5	64	37	2.0	7	120	33.33	186	72	132	3.1				
	50	13.89	140	70		175		76	3.5								
	73	20.28	112	65		200		154	73	3.8							
8	32	8.89	172	64	45	2.0	8	120	33.33	212	72	132	3.1				
	50	13.89	160	70		200		76	3.5								
	73	20.28	128	65		200		176	73	3.8							
100DL72-20	2	50.4	14	46	62	1480	15	2.5	150DL155-30	2	100	27.8	65	64	1480	45	3.2
		72	20	40	72			155			43	60	75	3.9			
	86.4	24	36	71	185		51.4	55		75	4.8						
	3	50.4	14	69	62		18.5	2.5		3	100	27.8	97.5	64		75	3.2
		72	20	60	72			155			43	90	75	3.9			
	86.4	24	54	71	185		51.4	82.5		75	4.8						
	4	50.4	14	92	62		30	2.5		4	100	27.8	130	64		90	3.2
		72	20	80	72			155			43	120	75	3.9			
	86.4	24	72	71	185		51.4	110		75	4.8						
	5	50.4	14	115	62		37	2.5		5	100	27.8	162.5	64		110	3.2
72		20	100	72	155	43		150	75		3.9						
86.4	24	90	71	185	51.4	137.5	75	4.8									
6	50.4	14	138	62	37	2.5	6	100	27.8	195	64	132	3.2				
	72	20	120	72		155		43	180	75	3.9						
86.4	24	108	71	185	51.4	165	75	4.8									
7	50.4	14	157	62	45	2.5	7	100	27.8	227.5	64	160	3.2				
	72	20	140	72		155		43	210	75	3.9						
86.4	24	126	71	185	51.4	192.5	75	4.8									
8	50.4	14	184	62	55	2.5	8	100	27.8	260	64	200	3.2				
	72	20	160	72		155		43	240	75	3.9						
86.4	24	144	71	185	51.4	220	75	4.8									
9	50.4	14	207	62	55	2.5	9	100	27.8	292.5	64	200	3.2				
	72	20	180	72		155		43	270	75	3.9						
86.4	24	162	71	185	51.4	247.5	75	4.8									
10	50.4	14	230	62	75	2.5	10	100	27.8	325	64	220	3.2				
	72	20	200	72		155		43	300	75	3.9						
86.4	24	180	71	185	51.4	275	75	4.8									
100DL100-20	2	60	16.67	48	67	1480	18.5	2.5	200DL280-43	2	185	51.4	94	69	1450	110	3.0
		100	27.78	40	72			280			77.8	86	77	4.7			
		120	33.33	34	65			335			93.1	76	75	6.0			
	3	60	16.67	72	67		30	2.5		3	185	51.4	141	69		160	3.0
		100	27.78	60	72			280			77.8	129	77	4.7			
		120	33.33	51	65			335			93.1	114	75	6.0			
	4	60	16.67	96	67		37	2.5		4	185	51.4	188	69		220	3.0
		100	27.78	80	72			280			77.8	172	77	4.7			
120		33.33	68	65	335	93.1		152	75		6.0						
5	60	16.67	120	67	45	2.5	5	185	51.4	235	69	280	3.0				
	100	27.78	100	72		280		77.8	215	77	4.7						
	120	33.33	85	65		335		93.1	190	75	6.0						
6	60	16.67	144	67	55	2.5	6	185	51.4	282	69	315	3.0				
	100	27.78	120	72		280		77.8	258	77	4.7						
	120	33.33	102	65		335		93.1	228	75	6.0						
7	60	16.67	168	67	75	2.5	7	185	51.4	330	69	315	3.0				
	100	27.78	140	72		280		77.8	300	77	4.7						
	120	33.33	119	65		335		93.1	275	75	6.0						
8	60	16.67	192	67	75	2.5	8	185	51.4	390	69	315	3.0				
	100	27.78	160	72		280		77.8	360	77	4.7						
	120	33.33	136	65		335		93.1	330	75	6.0						

XBC



XBC12/15G-100D/6 柴油机消防泵组产品简介

XBC12/15G-100D/6
GB6245-2006

XBC12/15G-100D/6 柴油机消防泵组产品优势

XBC12/15G-100D/6 柴油机消防泵组性能参数

15L/s		0.4 MPa
1.2MPa		1.31 MPa
: 2000r/min	150%	1.06MPa
: 36kW		7H4956

XBC12/15G-100D/6 柴油机消防泵组主要零部件材质

1		2Cr13
2		ZG0Cr18Ni9
3		ZG2Cr13
4		2Cr13
5		ZCuAl10Fe3
6		ZG0Cr18Ni9
7		ZG2Cr13
8		ZG0Cr18Ni9

XBD

XBD12.5/20G-100D/3 电动机消防泵组产品简介

XBD12.5/20G-100D/3

GB6245-2006

XBD12.5/20G-100D/3 电动机消防泵组产品优势

XBD12.5/20G-100D/3 电动机消防泵组性能参数

20L/s	0.4 MPa
1.25MPa	1.36 MPa
: 2950r/min	150%
: 55kW	1.08MPa

XBD12.5/20G-100D/3 电动机消防泵组主要零部件材质

1	2Cr13
2	ZG0Cr18Ni9
3	ZG2Cr13
4	2Cr13

XBD

XBD8/20G-100DL × 4 电动机消防泵组产品简介

XBD8/20G-100DL×4

GB6245-2006

?



XBD8/20G-100DL × 4 电动机消防泵组产品优势

XBD8/20G-100DL × 4 电动机消防泵组性能参数

20L/s
0.8MPa
: 1480r/min
: 30kW

150%

0.4 MPa
0.9 MPa
0.73MPa

XBD8/20G-100DL × 4 电动机消防泵组主要零部件材质

1		2Cr13
2		ZG0Cr18Ni9
3		ZC2Cr13
4		0Cr18Ni9
5		ZG2Cr13
6		ZG0Cr18Ni9
7		ZG 0Cr18Ni9
8		0Cr18Ni9

XBD

XBD5/40G-125G 电动机消防泵组产品简介

XBD5/40G-125G

GB6245-2006

?



XBD5/40G-125G 电动机消防泵组产品优势

XBD5/40G-125G 电动机消防泵组性能参数

40L/s
0.5MPa
: 2950r/min
: 37kW?

150%

0.4 MPa
0.58MPa
0.42MPa

XBD5/40G-125G 电动机消防泵组主要零部件材质

1		2Cr13
2		ZG0Cr18Ni9
3		ZG2Cr13
4		HT200
5		HT200
6		HT200
7		HT200
8		HT200

XBD



XBD5/40G-150W 电动机消防泵组产品简介

XBD5/40G-150W

GB6245-2006

XBD5/40G-150W 电动机消防泵组产品优势

XBD5/40G-150W 电动机消防泵组性能参数

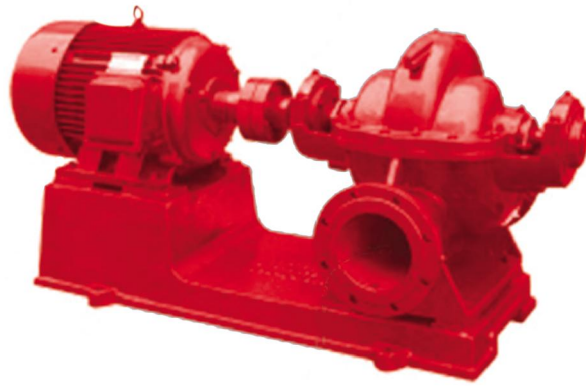
40L/s
0.5MPa
: 2950r/min
: 45kW

0.4 MPa
0.59 MPa
150%
0.47MPa

XBD5/40G-150W 电动机消防泵组主要零部件材质

1		2Cr13
2		ZG0Cr18Ni9
3		ZG2Cr13
4		0Cr18Ni9
5		HT200
6		HT200
7		HT200
8		HT200

XBD



XBD7.5/40G-150S 电动机消防泵组产品简介

XBD7.5/40G-150S

GB6245-2006

XBD7.5/40G-150S 电动机消防泵组产品优势

XBD7.5/40G-150S 电动机消防泵组性能参数

40L/s
0.75MPa
: 2950r/min
: 55kW

0.4 MPa
0.84 MPa
150%
0.7MPa

XBD7.5/40G-150S 电动机消防泵组主要零部件材质

1		2Cr13
2		ZG0Cr18Ni9
3		ZG2Cr13
4		0Cr18Ni9
5		HT200
6		HT200
7		HT200
8		HT200

CZ

产品概述

CZ 系列的泵可以输送低温或高温液体,化学中性或有腐蚀性的液体,清洁的或有固体颗粒的液体,可用于化学和石油化学工业、炼油厂、造纸厂和纸浆业、制糖厂等。

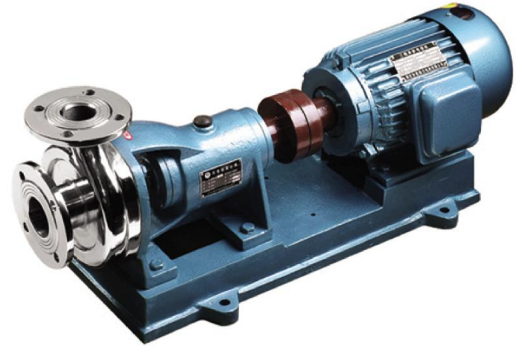
性能范围

Q=12-2000m³/h

H=10-160m

产品结构

CZ



			%		
H ₂ SO ₄	25	25		S	1
	65	25-75		S	1
	25	96		D	1
		75-96		S	
H ₂ SO ₄ +SO ₃					3
HNO ₃	25	-20		S	1
	65	-65		S	1
	110	-60		S	1
	50	65-80		S	1
HCl	25	-10		S	1
	65	-37		S	1
H ₃ PO ₄	25	-5		S	1
	100			D	
HClO				S	1
H ₂ CrO ₄				D	
CO ₂ +H ₂ O				S	1
C ₂ H ₂ O ₄	65			S	1
KOH		-20		S	1.2
		20		D	
NaOH		-20		S	1.2
		20		D	
Al ₂ (SO ₃) ₃	80	-20			1.2
KCl				D	
KCN				D	
HF		5		S	1

:1—

;2—

D;3—

;S—

;D—

。

	%
NaClO ₃	
NaClO	
Na ₂ SO ₄	
NH ₄ SO ₄	
NH ₄ NO ₃	
NH ₄ Cl	
CH ₄ N ₂ O	

1	STSi15		
2	Cr28		
3	NiCr202		
4	NiCr303		
5	PbSb10- 12		
6	1Cr13	1Cr13	
7	0Cr13Ni7Si4	05	
8	0Cr26Ni5Mo2		
9	0Cr26Ni5Mo2Cu3	CD- 4MCu	
10	1Cr18Ni9	304	Mo2Ti
11	00Cr18Ni10	304L	
12	1Cr18Ni12Mo2Ti	316	
13	00Cr18Ni12Mo2	316L	
14	0Cr13Ni25Mo3Cu3Nb	941	
15	1Cr24Ni20Mo2Cu3	K	
16	0Cr20Ni25Mo5Cu2	904 2RK65	
17	0Cr20Ni30Mo2Cu3	20 ⁺ CN- 7M	
18	0Cr28Ni30Mo4Cu2	28 ⁺	
19	0Cr20Ni42Mo3Cu2	825	904
20	0Cr30Ni42Mo3Cu2	804	904
21	00Ni65Cu28	Monel	
22	00Ni65Mo28	B	
23	TA ₂ TA ₃ TA ₄	ZT	

CZ

NO	Model	Q Capacity		Head (m)	Eff (%)	Speed (r/min)	Power (kW)	(NPSH) _r (m)
		(m ³ /h)	(L/s)					
001	50- 125	8.8 12.5 16.3	2.44 3.47 4.53	21 20 18.5	49 58 57	2900	2.2	2.0
002	50- 125A	8 11 14.5	2.22 3.06 4.03	17 16 15	57	2900	1.5	2.0
003	50- 160	8.8 12.5 16.3	2.44 3.47 4.53	33 32 30	45 52 51	2900	3.0	2.0
004	50- 160A	8.2 11.7 15.2	2.28 3.25 4.22	29 28 26	44 51 50	2900	2.2	2.0
005	50- 160B	7.3 10.4 13.5	2.38 2.89 3.75	23 22 20.5	50	2900	1.5	2.2
006	50- 200	8.8 12.5 16.3	2.44 3.47 4.53	52 50 48	38 46 46	2900	5.5	2.0
007	50- 200A	8.3 11.7 15.3	2.31 3.25 4.25	45.8 44 42	37 45 45	2900	4.0	2.0
008	50- 200B	7.5 10.6 13.8	2.08 2.94 3.83	37 36 34	44	2900	3.0	2.2

NO	Model	Q Capacity		Head (m)	Eff (%)	Speed (r/min)	Power (kW)	(NPSH) _r (m)
		(m ³ /h)	(L/s)					
009	50- 250	8.8 12.5 16.3	2.44 3.47 4.53	82 80 77.5	29 38 40	2900	11	2.0
010	50- 250A	8.2 11.6 15.2	2.28 3.22 4.22	71.5 70 68	38	2900	7.5	2.2
011	50- 250B	7.6 10.8 14	2.11 3.0 3.89	61.4 60 58	37	2900	7.5	2.5
012	50- 250C	7.1 10.0 13.1	1.97 2.78 3.64	53.2 52 50.4	36	2900	5.5	2.5
013	65- 125	17.5 25 30	4.86 6.94 8.33	21.5 20 18	60 68 66	2900	3.0	2.0
014	65- 125A	15.6 22.3 26.8	4.33 6.19 7.44	17 16 14.4	58 66 65	2900	2.2	2.0
015	65- 160	17.5 25 30	4.86 6.94 8.33	34.4 32 29.5	54 63 60	2900	5.5	2.0
016	65- 160A	16.4 23.4 28.1	4.56 6.5 7.81	30 28 26	54 62 59	2900	4.0	2.0

CZ

NO	Model	Q Capacity		Head (m)	Eff (%)	Speed (r/min)	Power (kW)	(NPSH) _r (m)
		(m³/h)	(L/s)					
017	65-160B	15.0 21.6 25.9	4.17 6.0 7.19	26 24 22.6	58	2900	3.0	2.2
018	65-200	17.5 25 30	4.86 6.94 8.33	52.7 50 48	49 58 59	2900	7.5	2.0
019	65-200A	16.4 23.5 28.2	4.56 6.53 7.83	46.4 44 41.5	48 57 58	2900	7.5	2.2
020	65-200B	15.2 21.8 26.2	4.22 6.65 7.28	40 38 34.5	55	2900	5.5	2.5
021	65-250	17.5 25 30	4.86 6.94 8.33	82 80 79	39 50 51	2900	15.0	2.0
022	65-250A	16.4 23.4 28.1	4.56 6.5 7.81	71.5 70 68	39 50 51	2900	11.0	2.2
023	65-250B	15 21.6 25.9	4.17 6.0 7.19	61 60 58	38 49 52	2900	11.0	2.5
024	65-315	17.5 25 30	4.86 6.94 8.33	127 125 123	32 40 44	2900	30.0	2.5
025	65-315A	16.6 23.7 28.4	4.61 6.58 7.89	115 113 111	32 40 44	2900	22.0	2.5
026	65-315B	15.7 22.6 27	4.36 6.26 7.5	103 101 99	39	2900	18.5	2.5
027	65-315C	14.4 20.6 24.7	4.0 5.72 6.86	86 85 84	38	2900	15	3.0
028	80-125	35 50 60	9.72 13.9 16.7	22 20 17	67 72.5 70	2900	5.5	2.5
029	80-125A	31.3 45 53.6	8.69 12.5 14.9	17.5 16 14	66 71 69	2900	4.0	2.5
030	80-160	35 50 60	9.72 13.9 16.7	35 32 29	63 71 70	2900	7.5	2.5
031	80-160A	31.5 45 54	8.75 12.5 15	29 26 23	62 70 68	2900	5.5	2.5
032	80-160B	28 40 48	7.78 11.11 13.33	24 21 18	61 69 67	2900	4.0	2.5
033	80-200	35 50 60	9.72 13.9 16.7	53.5 50 47	55 67 68	2900	15	2.5
034	80-200A	32.5 46.7 56	9.03 13 15.6	47 44 40	54 66 67	2900	11	2.5
035	80-200B	30.3 43.3 52	8.42 12 14.4	40.6 38 36	65	2900	7.5	2.5
036	80-250	35 50 60	9.72 13.9 16.7	83 80 78.5	52 59 60	2900	22	2.5
037	80-250A	32.5 46.5 56	9.03 13 15.6	73 70 67.5	52 59 60	2900	18.5	2.5

NO	Model	Q Capacity		Head (m)	Eff (%)	Speed (r/min)	Power (kW)	(NPSH) _r (m)
		(m³/h)	(L/s)					
038	80-250B	30.3 43.3 52	8.42 12 14.4	62 60 58	58	2900	15	2.5
039	80-315	35 50 60	9.72 13.9 16.7	128 125 123	43 54 57	2900	37	2.5
040	80-315A	32.5 46.5 55.8	9.03 12.9 15.5	112.6 110 108	43 54 57	2900	30	2.5
041	80-315B	31 44.5 53.4	8.61 12.4 14.8	102 100 99	53	2900	30	2.5
042	80-315C	29 41 49.2	8.06 11.4 13.7	98 85 54	51	2900	22	3.0
043	100-125	70 100 120	19.4 27.8 33.3	23.5 20 16	70 76 68	2900	11	4.5
044	100-125A	62.6 89 106.8	17.4 24.7 29.7	19 16 13	68 74 66	2900	7.5	4.5
045	100-160	70 100 120	19.4 27.8 33.3	36.5 32 28	70 76 68	2900	15	4.0
046	100-160A	65.4 93.5 112.2	18.2 26 31.2	32 28 23	68 74 69	2900	11	4.0
047	100-160B	60.6 86.6 103.9	16.8 24.1 28.9	27 24 20	72	2900	11	5.0
048	100-200	70 100 120	19.4 27.8 33.3	54 50 44	65 74 73	2900	22	3.6
049	100-200A	65.4 93.5 112.2	18.2 26 31.2	47.5 44 39	64 73 72	2900	18.5	3.6
050	100-200B	61 87 104.4	16.9 24.2 29	41 38 34	71	2900	15	4.0
051	100-250	70 100 120	19.4 27.8 33.3	87 80 72	62 69 68	2900	37	3.8
052	100-250A	65.4 93.5 112.2	18.2 26 31.2	76 70 63	61 68 67	2900	30	4.0
053	100-250B	61 87 104.4	16.9 24.2 29	65 60 54	66	2900	30	4.5
054	100-315	70 100 120	19.4 27.8 33.3	132 125 117	55 66 67	2900	75	3.6
055	100-315A	66.5 95 114	18.5 26.4 31.7	119 113 106	55 66 67	2900	55	3.6
056	100-315B	63 90 108	17.5 25 30	106.6 101 95	65	2900	45	4.0
057	100-315C	58 82 98.4	16.1 22.8 27.3	90 85 79	63	2900	37	4.5
058	125-200()	90 160 192	26.7 44.4 53.3	55 50 46	77	2900	37	5.0

NO	Model	Q Capacity		Head (m)	Eff (%)	Speed (r/min)	Power (kW)	(NPSH) _r (m)
		(m ³ /h)	(L/s)					
059	125- 200A()	90 150 180	25 41.7 50	48.4 44 40.5	76	2900	30	5.0
060	125- 200B()	83 138 166	23.1 38.3 46.1	41.3 37.5 34.5	75	2900	22	5.0
061	125- 250()	96 160 192	26.7 44.4 53.3	85 80 76	75	2900	55	5.0
062	125- 250A()	90 150 180	25 41.7 50	73 70 67	74	2900	45	5.0
063	125- 250B()	83 138 166	23.1 38.3 46.1	64 60 57	73	2900	37	5.0
064	125- 315()	96 160 192	26.7 44.4 53.3	133 125 117	70	2900	90	5.0
065	125- 315A()	90 150 180	25 41.7 50	117 110 103	70	2900	75	5.0
066	125- 315B()	86 143 172	23.9 39.7 41.8	106.4 100 95.2	69	2900	75	5.0
067	125- 315C()	80.5 134 161	22.4 37.2 44.7	95 88 83.5	67	2900	55	5.0
068	125- 200	120 200 240	33.3 55.6 66.7	57.5 50 44.5	67 81 80	2900	45	4.5
069	125- 200A	187	52	44	79	2900	37	4.5
070	125- 200B	173	48.1	38	77	2900	30	5.0
071	125- 250	120 200 240	33.3 55.5 66.7	87 80 72	66 78 75	2900	75	4.2
072	125- 250A	187	52	70	76	2900	55	4.2
073	125- 250B	173	48.1	60	74	2900	45	4.5
074	125- 315	120 200 240	33.3 55.6 66.7	132 125 120	60 75 77	2900	110	4.5
075	125- 315A	181.6	50.44	103	72	2900	90	4.5
076	125- 315B	171.6	47.66	92	70	2900	75	5.0
077	150- 200	140 200 240	38.9 55.6 66.7	13.8 12.5 11	68 78 67	2900	15	3.0
078	150- 200A	125 179 214.8	34.7 49.7 59.7	11 10 9	66 76 76	2900	11	3.0
079	150- 250	140 200 240	38.9 55.6 66.7	21.8 20 17	73 79 77	2900	18.5	3.0

NO	Model	Q Capacity		Head (m)	Eff (%)	Speed (r/min)	Power (kW)	(NPSH) _r (m)
		(m ³ /h)	(L/s)					
080	150- 250A	129 184.4 221.3	35.8 51.2 61.5	18.5 17 14.4	72 78 76	1450	15	3.0
081	150- 250B	117 167 200.4	32.5 46.4 55.7	15.2 14 12	76	1450	11	3.5
082	150- 315	140 200 240	38.9 55.6 66.7	33.8 32 27	70 78 74	1450	30	2.5
083	150- 315A	131 187 224.4	36.4 51.9 62.3	29.5 28 24.5	69 77 73	1450	22	2.5
084	150- 315B	121 173 207.6	33.6 48.1 57.7	25 24 22	76	1450	18.5	3.0
085	150- 400	140 200 240	38.9 55.6 66.7	53 50 46	68 75 71	1450	45	2.8
086	150- 400A	131 187 224.4	36.4 51.9 62.3	46.6 44 40	67 74 70	1450	37	3.0
087	150- 400B	122 174 208.8	33.9 48.3 58	40 38 35	73	1450	30	3.5
088	150- 400C	112 160 192	31.1 44.6 53.3	32 30 28	71	1450	22	4.0
089	200- 200	280 400 480	77.8 111.1 133.3	13.4 12.5 11	70 80 79	1450	22	4.5
090	200- 200A	250 358 429.6	69.4 99.4 119.3	10.7 10 9	68 78 77	1450	18.5	4.5
091	200- 250	280 400 480	77.8 111.1 133.3	23 20 15	76 80 73	1450	37	4.6
092	200- 250A	250 358 429.6	69.4 99.4 119.3	18 16 13	73 78 72	1450	30	4.8
093	200- 250B	226 322 386.4	62.8 89.4 107.3	14.4 13 9	70 75 69	1450	22	5.0
094	200- 315	280 400 480	77.8 111.1 133.3	36 32 28	73 80 76	1450	55	3.5
095	200- 315A	262 374 448.4	72.8 103.9 124.7	31.5 28 24	72 79 75	1450	45	3.5
096	200- 315B	242 346 415.2	67.2 96.1 115.3	27 24 21	78	1450	37	4.0
097	200- 400	280 400 480	77.8 111.1 133.3	54 50 46	75 81 76	1450	90	3.8
098	200- 400A	262 374 448.8	72.8 103.9 124.7	48 44 37	80	1450	75	3.8
099	200- 400B	242 346 415.2	67.2 96.1 115.3	41.4 38 33	78	1450	55	4.0

产品概述

ISG ISGB

IS

ISO2858

A B C 206

3.6-720m³/h

4-125m

ISGR ISGF

ISGB

产品特点

1、 : Y

2、 :

3、 :

50%

4、 :

5、 、 :

6、 :

7、 :

主要用途

1 ISG

ISGB

80℃

ISGB

()

2 ISGR

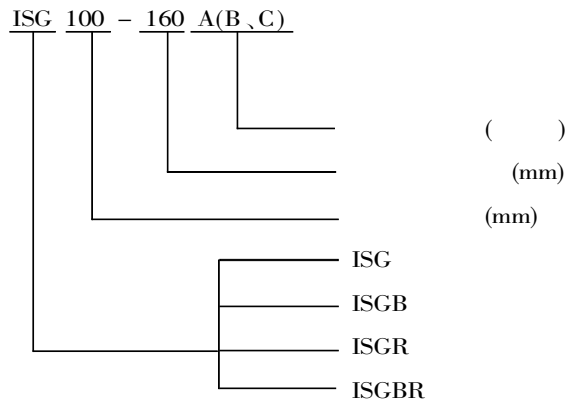
ISGBR

105℃

130℃



型号意义



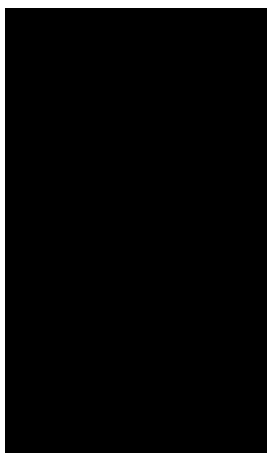
ISGB



ISGB



ISGB



ISGR

ISG

工作条件

1.6MPa + ≤1.6MPa 2.5MPa
1.6MPa

IS、ISR

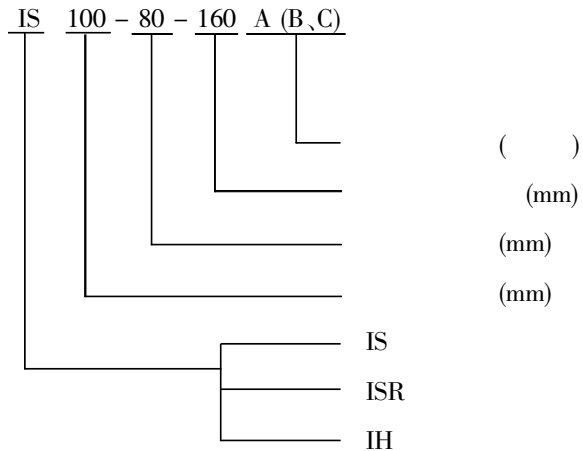
产品概述

IS		ISO2858			
		ISR	5-400m ³ /h	4-125m	IH
(min)	(1450r/min)	A B C	130		(2950r/

产品特点

- 1、:采用优秀水力模型,其效率平均比老产品高 3.67%
- 2、:按国际标准 ISO2858 规定性能和尺寸,由泵行业统一设计,因此型谱统一,零件通用性高,安装尺寸一致,方便用户选型及维修时的零部件采购。
- 3、:泵为卧式结构主要由泵体、泵盖、叶轮、悬架部件组成,转子由悬架部件支撑。
- 4、:泵为卧式安装,配有统一底座,安装方便,泵维护、保养时在泵体及进出口管路不用拆卸的情况下,即可退出转子及支撑部件进行维修。
- 5、,。

型号意义



IS ISR IH 泵

产品用途

- 1 IS 80℃
- 2 ISR 105℃
- 3 IH 150℃ ≤104℃

ISW (ISZ)

()

产品概述

ISW ISZ

IS

ISW

ISWR ISWF

产品特点

1、 :

2、 :

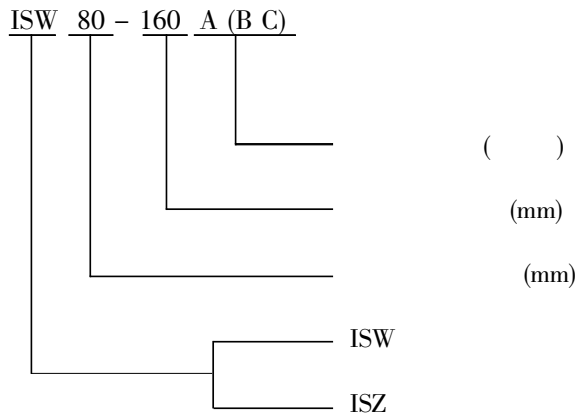
3、 :

4、 :

5、 :

6、 :

型号意义



主要用途

1 ISW ISZ

≤80℃

2 ISWR ISZR

ISWR

≤120℃



IS、ISR、IH、ISG、ISGB、ISW、ISWR、ISZ、ISZR

NO	Model	Q Capacity		Head (m)	Eff (%)	Speed (r/min)	Power (kW)	(NPSH) _r (m)	
		(m ³ /h)	(L/s)						
001	25- 125	2.8 4 5.2	0.78 1.11 1.44	20.6 20 18	28 36 35	2900	0.75	2.8	*
002	25- 125A	2.5 3.6 4.6	0.69 1.0 1.28	17 16 14.4	35	2900	0.75	2.8	*
003	25- 160	2.8 4 5.2	0.78 1.11 1.44	33 32 31	26 32 39	2900	1.5	2.8	*
004	25- 160A	2.6 3.7 4.9	0.72 1.03 1.36	29 28 27	31	2900	1.1	2.8	*
005	32- 125	3.5 5 6.5	0.97 1.39 1.80	21 20 18	31 44 44	2900	0.75	2.8	*
006	32- 125A	3.1 4.5 5.8	0.86 1.25 1.61	17.6 16 14.4	43	2900	0.75	2.8	*
007	40- 125	4.4 6.3 8.3	1.22 1.75 2.31	22 20 19	41 46 43	2900	1.1	3	*
008	40- 125A	3.9 5.6 7.4	1.08 1.56 2.06	17.6 16 13.6	39 45 45	2900	0.75	3	*
009	40- 160	4.4 6.3 8.3	1.22 1.75 2.31	33 32 30	35 40 40	2900	2.2	3	*
010	40- 160A	4.1 5.9 7.8	1.14 1.64 2.17	29 28 27	34 39 39	2900	1.5	3	*
011	40- 160B	3.8 5.5 7.2	1.06 1.53 2.0	25 24 23	33 38 37	2900	1.1	3	*
012	40- 200	4.4 6.3 8.3	1.22 1.75 2.31	51 50 48	26 33 32	2900	4.0	3	*
013	40- 200A	4.1 5.9 7.8	1.14 1.64 2.17	45 44 42	26 31 30	2900	3.0	3	*
014	40- 200B	3.7 5.3 7.0	1.03 1.47 1.94	38 36 34.5	29	2900	2.2	3	*
015	40- 250	4.4 6.3 8.3	1.22 1.75 2.31	82 80 74	24 28 28	2900	7.5	3	*
016	40- 250A	4.1 5.9 7.8	1.14 1.64 2.17	72 70 65	24 28 27	2900	5.5	3	*
017	40- 250B	3.8 5.5 7.0	1.06 1.53 1.94	61.5 60 56	23 27 26	2900	4.0	3	*
018	50- 125 50- 32- 125	8.8 12.5 16.3	2.44 3.47 4.53	21 20 18.5	49 58 57	2900	2.2	2.0	**
019	50- 125A 50- 32- 125A	8 11 14.5	2.22 3.06 4.03	17 16 15	57	2900	1.5	2.0	**
020	50- 160 50- 32- 160	8.8 12.5 16.3	2.44 3.47 4.53	33 32 30	45 52 51	2900	3.0	2.0	**
021	50- 160A 50- 32- 160A	8.2 11.7 15.2	2.28 3.25 4.22	29 28 26	44 51 50	2900	2.2	2.0	**

NO	Model	Q Capacity		Head (m)	Eff (%)	Speed (r/min)	Power (kW)	(NPSH) _r (m)	
		(m ³ /h)	(L/s)						
022	50- 160B 50- 32- 160B	7.3 10.4 13.5	2.38 2.89 3.75	23 22 20.5	50	2900	1.5	2.2	**
023	50- 200 50- 32- 200	8.8 12.5 16.3	2.44 3.47 4.53	52 50 48	38 46 46	2900	5.5	2.0	**
024	50- 200A 50- 32- 200A	8.3 11.7 15.3	2.31 3.25 4.25	45.8 44 42	37 45 45	2900	4.0	2.0	**
025	50- 200B 50- 32- 200B	7.5 10.6 13.8	2.08 2.94 3.83	37 36 34	44	2900	3.0	2.2	**
026	50- 250 50- 32- 250	8.8 12.5 16.3	2.44 3.47 4.53	82 80 77.5	29 38 40	2900	11	2.0	**
027	50- 250A 50- 32- 250A	8.2 11.6 15.2	2.28 3.22 4.22	71.5 70 68	38	2900	7.5	2.2	**
028	50- 250B 50- 32- 250B	7.6 10.8 14	2.11 3.0 3.89	61.4 60 58	37	2900	7.5	2.5	**
029	50- 250C 50- 32- 250C	7.1 10.0 13.1	1.97 2.78 3.64	53.2 52 50.4	36	2900	5.5	2.5	**
030	65- 125 65- 50- 125	17.5 25 30	4.86 6.94 8.33	21.5 20 18	60 68 66	2900	3.0	2.0	**
031	65- 125A 65- 50- 125A	15.6 22.3 26.8	4.33 6.19 7.44	17 16 14.4	58 66 65	2900	2.2	2.0	**
032	65- 160 65- 50- 160	17.5 25 30	4.86 6.94 8.33	34.4 32 29.5	54 63 60	2900	5.5	2.0	**
033	65- 160A 65- 50- 160A	16.4 23.4 28.1	4.56 6.5 7.81	30 28 26	54 62 59	2900	4.0	2.0	**
034	65- 160B 65- 50- 160B	15.0 21.6 25.9	4.17 6.0 7.19	26 24 22.6	58	2900	3.0	2.2	**
035	65- 200 65- 40- 200	17.5 25 30	4.86 6.94 8.33	52.7 50 48	49 58 59	2900	7.5	2.0	**
036	65- 200A 65- 40- 200A	16.4 23.5 28.2	4.56 6.53 7.83	46.4 44 41.5	48 57 58	2900	7.5	2.2	**
037	65- 200B 65- 40- 200B	15.2 21.8 26.2	4.22 6.65 7.28	40 38 34.5	55	2900	5.5	2.5	**
038	65- 250 65- 40- 250	17.5 25 30	4.86 6.94 8.33	82 80 79	39 50 51	2900	15.0	2.0	**
039	65- 250A 65- 40- 250A	16.4 23.4 28.1	4.56 6.5 7.81	71.5 70 68	39 50 51	2900	11.0	2.2	**
040	65- 250B 65- 40- 250B	15 21.6 25.9	4.17 6.0 7.19	61 60 58	38 49 52	2900	11.0	2.5	**
041	65- 315 65- 40- 315	17.5 25 30	4.86 6.94 8.33	127 125 123	32 40 44	2900	30.0	2.5	**
042	65- 315A 65- 40- 315A	16.6 23.7 28.4	4.61 6.58 7.89	115 113 111	32 40 44	2900	22.0	2.5	**

IS、ISR、IH、ISG、ISGB、ISW、ISWR、ISZ、ISZR

NO	Model	Q Capacity		Head (m)	Eff (%)	Speed (r/min)	Power (kW)	(NPSH) _r (m)	
		(m ³ /h)	(L/s)						
043	65- 315B	15.7	4.36	103	39	2900	18.5	2.5	**
	65- 40- 315B	22.6	6.26	101					
044	65- 315C	14.4	4.0	86	38	2900	15	3.0	**
	65- 40- 315C	20.6	5.72	85					
045	80- 125	35	9.72	22	67	2900	5.5	2.5	**
	80- 65- 125	50	13.9	20					
046	80- 125A	31.3	8.69	17.5	66	2900	4.0	2.5	**
	80- 65- 125A	45	12.5	16					
047	80- 160	35	9.72	35	63	2900	7.5	2.5	**
	80- 65- 160	50	13.9	32					
048	80- 160A	31.5	8.75	29	62	2900	5.5	2.5	**
	80- 65- 160A	45	12.5	26					
049	80- 160B	28	7.78	24	61	2900	4.0	2.5	**
	80- 65- 160B	40	11.11	21					
050	80- 200	35	9.72	53.5	55	2900	15	2.5	**
	80- 50- 200	50	13.9	50					
051	80- 200A	32.5	9.03	47	54	2900	11	2.5	**
	80- 50- 200A	46.7	13	44					
052	80- 200B	30.3	8.42	40.6	65	2900	7.5	2.5	**
	80- 50- 200B	43.3	12	38					
053	80- 250	35	9.72	83	52	2900	22	2.5	**
	80- 50- 250	50	13.9	80					
054	80- 250A	32.5	9.03	73	52	2900	18.5	2.5	**
	80- 50- 250A	46.5	13	70					
055	80- 250B	30.3	8.42	62	58	2900	15	2.5	**
	80- 50- 250B	43.3	12	60					
056	80- 315	35	9.72	128	43	2900	37	2.5	**
	80- 50- 315	50	13.9	125					
057	80- 315A	32.5	9.03	112.6	43	2900	30	2.5	**
	80- 50- 315A	46.5	12.9	110					
058	80- 315B	31	8.61	102	53	2900	30	2.5	**
	80- 50- 315B	44.5	12.4	100					
059	80- 315C	29	8.06	98	51	2900	22	3.0	**
	80- 50- 315C	41	11.4	85					
060	100- 100	70	19.4	13.6	66	2900	5.5	4.5	*
		100	27.8	12.5					
061	100- 100A	62.6	17.4	11	64	2900	4.0	4.5	*
		89	24.7	10					
062	100- 125	70	19.4	23.5	67	2900	11	4.5	**
	100- 80- 125	100	27.8	20					
063	100- 125A	62.6	17.4	19	63	2900	7.5	4.5	**
	100- 80- 125A	89	24.7	16					

NO	Model	Q Capacity		Head (m)	Eff (%)	Speed (r/min)	Power (kW)	(NPSH) _r (m)	
		(m ³ /h)	(L/s)						
064	100- 160	70	19.4	36.5	70	2900	15	4.0	**
	100- 80- 160	100	27.8	32					
065	100- 160A	65.4	18.2	32	68	2900	11	4.0	**
	100- 80- 160A	93.5	26	28					
066	100- 160B	60.6	16.8	27	72	2900	11	5.0	**
	100- 80- 160B	86.6	24.1	24					
067	100- 200	70	19.4	54	65	2900	22	3.6	**
	100- 65- 200	100	27.8	50					
068	100- 200A	65.4	18.2	47.5	64	2900	18.5	3.6	**
	100- 65- 200A	93.5	26	44					
069	100- 200B	61	16.9	41	71	2900	15	4.0	**
	100- 65- 200B	87	24.2	38					
070	100- 250	70	19.4	87	62	2900	37	3.8	**
	100- 65- 250	100	27.8	80					
071	100- 250A	65.4	18.2	76	61	2900	30	4.0	**
	100- 65- 250A	93.5	26	70					
072	100- 250B	61	16.9	65	66	2900	30	4.5	**
	100- 65- 250B	87	24.2	60					
073	100- 315	70	19.4	132	55	2900	75	3.6	**
	100- 65- 315	100	27.8	125					
074	100- 315A	66.5	18.5	119	55	2900	55	3.6	**
	100- 65- 315A	95	26.4	113					
075	100- 315B	63	17.5	106.6	65	2900	45	4.0	**
	100- 65- 315B	90	25	101					
076	100- 315C	58	16.1	90	63	2900	37	4.5	**
	100- 65- 315C	82	22.8	85					
077	125- 100()	96	26.7	13	82	2900	11	5.0	*
		160	44.4	12.5					
078	125- 100A()	86	23.9	10.4	77	2900	7.5	5.0	*
		143	39.7	10					
079	125- 125()	96	26.7	22.6	80	2900	15	5.0	*
		160	44.4	20					
080	125- 125A()	86	23.9	18	77	2900	11	5.0	*
		143	39.7	16					
081	125- 160()	96	26.7	36	78	2900	22	5.0	*
		160	44.4	32					
082	125- 160A()	90	25	31.5	76	2900	18.5	5.0	*
		150	41.7	28					
083	125- 160B()	83	23.1	27	73	2900	15	5.0	*
		138	38.3	24					
084	125- 200()	96	26.7	55	77	2900	37	5.0	**
	125- 100- 200()	160	44.4	50					

IS、ISR、IH、ISG、ISGB、ISW、ISWR、ISZ、ISZR

NO	Model	Q Capacity		Head (m)	Eff (%)	Speed (r/min)	Power (kW)	(NPSH) _r (m)	
		(m³/h)	(L/s)						
085	125-200A() 125-100-200A()	90	25	48.4	76	2900	30	5.0	**
		150	41.7	44					
		180	50	40.5					
086	125-200B() 125-100-200B()	83	23.1	41.3	75	2900	22	5.0	**
		138	38.3	37.5					
		166	46.1	34.5					
087	125-250() 125-100-250()	96	26.7	85	75	2900	55	5.0	**
		160	44.4	80					
		192	53.3	76					
088	125-250A() 125-100-250A()	90	25	73	74	2900	45	5.0	**
		150	41.7	70					
		180	50	67					
089	125-250B() 125-100-250B()	83	23.1	64	73	2900	37	5.0	**
		138	38.3	60					
		166	46.1	57					
090	125-315() 125-100-315()	96	26.7	133	70	2900	90	5.0	**
		160	44.4	125					
		192	53.3	117					
091	125-315A() 125-100-315A()	90	25	117	70	2900	75	5.0	**
		150	41.7	110					
		180	50	103					
092	125-315B() 125-100-315B()	86	23.9	106.4	69	2900	75	5.0	**
		143	39.7	100					
		172	41.8	95.2					
093	125-315C() 125-100-315C()	80.5	22.4	95	67	2900	55	5.0	**
		134	37.2	88					
		161	44.7	83.5					
094	125-200 125-100-200	120	33.3	57.5	67	2900	45	4.5	**
		200	55.6	50					
		240	66.7	44.5					
095	125-200A 125-100-200A	187	52	44	79	2900	37	4.5	**
096	125-200B 125-100-200B	173	48.1	38	77	2900	30	5.0	**
097	125-250 125-100-250	120	33.3	87	66	2900	75	4.2	**
		200	55.6	80					
		240	66.7	72					
098	125-250A 125-100-250A	187	52	70	76	2900	55	4.2	**
099	125-250B 125-100-250B	173	48.1	60	74	2900	45	4.5	**
100	125-315 125-100-315	120	33.3	132	60	2900	110	4.5	**
		200	55.6	125					
		240	66.7	120					
101	125-315A 125-100-315A	181.6	50.44	103	72	2900	90	4.5	**
102	125-315B 125-100-315B	171.6	47.66	92	70	2900	75	5.0	**
103	150-200 150-125-200	140	38.9	13.8	68	1450	15	3.0	**
		200	55.6	12.5					
		240	66.7	11					
104	150-200A 150-125-200A	125	34.7	11	66	1450	11	3.0	**
		179	49.7	10					
		214.8	59.7	9					
105	150-250 150-125-250	140	38.9	21.8	73	1450	18.5	3.0	**
		200	55.6	20					
		240	66.7	17					

NO	Model	Q Capacity		Head (m)	Eff (%)	Speed (r/min)	Power (kW)	(NPSH) _r (m)	
		(m³/h)	(L/s)						
106	150-250A 150-125-250A	129	35.8	18.5	72	1450	15	3.0	**
		184.4	51.2	17					
		221.3	61.5	14.4					
107	150-250B 150-125-250B	117	32.5	15.2	76	1450	11	3.5	**
		167	46.4	14					
		200.4	55.7	12					
108	150-315 150-125-315	140	38.9	33.8	70	1450	30	2.5	**
		200	55.6	32					
		240	66.7	27					
109	150-315A 150-125-315A	131	36.4	29.5	69	1450	22	2.5	**
		187	51.9	28					
		224.4	62.3	24.5					
110	150-315B 150-125-315B	121	33.6	25	76	1450	18.5	3.0	**
		173	48.1	24					
		207.6	57.7	22					
111	150-125-400()	110	30.6	64	63	1450	45	2.8	**
		160	44.4	60					
		200	55.6	54					
112	150-400 150-125-400	140	38.9	53	68	1450	45	2.8	**
		200	55.6	50					
		240	66.7	46					
113	150-400A 150-125-400A	131	36.4	46.6	67	1450	37	3.0	**
		187	51.9	44					
		224.4	62.3	40					
114	150-400B 150-125-400B	122	33.9	40	72	1450	30	3.5	**
		174	48.3	38					
		208.8	58	35					
115	150-400C 150-125-400C	112	31.1	32	71	1450	22	4.0	**
		160	44.6	30					
		192	53.3	28					
116	200-200 200-200-200	280	77.8	13.4	70	1450	22	4.5	**
		400	111.1	12.5					
		480	133.3	11					
117	200-200A 200-200-200A	250	69.4	10.7	68	1450	18.5	4.5	**
		358	99.4	10					
		429.6	119.3	9					
118	200-250 200-150-250	280	77.8	23	76	1450	37	4.6	**
		400	111.1	20					
		480	133.3	15					
119	200-250A 200-150-250A	250	69.4	18	73	1450	30	4.8	**
		358	99.4	16					
		429.6	119.3	13					
120	200-250B 200-150-250B	226	62.8	14.4	70	1450	22	5.0	**
		322	89.4	13					
		386.4	107.3	9					
121	200-315 200-150-315	280	77.8	36	73	1450	55	3.5	**
		400	111.1	32					
		480	133.3	28					
122	200-315A 200-150-315A	262	72.8	31.5	72	1450	45	3.5	**
		374	103.9	28					
		448.4	124.7	24					
123	200-315B 200-150-315B	242	67.2	27	78	1450	37	4.0	**
		346	96.1	24					
		415.2	115.3	21					
124	200-400 200-150-400	280	77.8	54	81	1450	90	3.8	**
		400	111.1	50					
		480	133.3	46					
125	200-400A 200-150-400A	262	72.8	48	80	1450	75	3.8	**
		374	103.9	44					
		448.8	124.7	37					
126	200-400B 200-150-400B	242	67.2	41.4	78	1450	55	4.0	**
		346	96.1	38					
		415.2	115.3	33					
127	200-400C 200-150-400C	224	62.2	34.9	76	1450	45	4.0	**
		320	88.9	32					
		384	106.7	27					

IS、ISR、IH、ISG、ISGB、ISW、ISWR、ISZ、ISZR

NO	Model	Q Capacity		Head (m)	Eff (%)	Speed (r/min)	Power (kW)	(NPSH) _r (m)	
		(m³/h)	(L/s)						
128	200- 450	280 400 480	77.8 111.1 133.3	65 60 56	75 81 76	1450	90	5.0	*
129	250- 335	288 480 576	80 133.3 160	35.5 32 29.5	80	1450	75	5.0	*
130	250- 360	288 480 576	80 133.3 160	43.5 40 37.5	81	1450	75	5.0	*
131	250- 400	288 480 576	80 133.3 160	54 50 43	82	1450	90	5.0	*
132	250- 450()	378 630 756	105 175 210	58 55 51	78 79 76	1450	132	5.5	*
133	250- 400()	378 630 756	105 175 210	49 45 40	80 80 78	1450	110	5.5	*
134	250- 315()	378 630 756	105 175 210	38 35 31	78 79 76	1450	90	5.5	*
135	250- 250()	378 630 756	105 175 210	27 25 20	79 80 76	1450	75	5.5	*
136	250- 480	350 500 600	97.2 139 167	75 70 72	73 80 98	1480	160	5.5	*
137	300- 450	432 720 864	120 200 240	58 55 50	80 81 78	1450	160	6.0	*
138	300- 400	432 720 864	120 200 240	48 45 41	80 80 77	1450	132	6.0	*
139	300- 315	432 720 864	120 200 240	38 35 31	80 81 77	1450	110	6.0	*
140	300- 250	432 720 864	120 200 240	27 25 22	80 80 76	1450	90	6.0	*
141	50- 125 50- 32- 125	3.75 6.3 7.5	1.04 1.74 2.08	5.4 5.0 4.6	43 55 54	1450	0.55	2.0	**
142	50- 125A 50- 32- 125A	5.6	1.56	4	52	1450	0.55	2.0	**
143	50- 160 50- 32- 160	3.75 6.3 7.5	1.04 1.74 2.08	8.5 8 7.5	35 49 48	1450	0.55	2.0	**
144	50- 160A 50- 32- 160A	5.9	1.64	7	47	1450	0.55	2.0	**
145	50- 160B 50- 32- 160B	5.1	1.42	5.5	44	1450	0.55	2.0	**
146	50- 200 50- 32- 200	3.75 6.3 7.5	1.04 1.74 2.08	13.1 12.5 12	33 42 44	1450	0.75	2.0	**
147	50- 200A 50- 32- 200A	5.9	1.64	11	39	1450	0.55	2.0	**
148	50- 200B 50- 32- 200B	5.2	1.44	8.9	32	1450	0.55	2.0	**
149	50- 250 50- 32- 250	3.75 6.3 7.5	1.04 1.74 2.08	20.5 20 19.5	23 32 35	1450	1.5	2.0	**

NO	Model	Q Capacity		Head (m)	Eff (%)	Speed (r/min)	Power (kW)	(NPSH) _r (m)	
		(m³/h)	(L/s)						
150	50- 250A 50- 32- 250A	5.9	1.64	17.5	29	1450	1.1	2.0	**
151	50- 250B 50- 32- 250B	5	1.39	13.7	29	1450	0.75	2.0	**
152	65- 125 65- 50- 125	7.5 12.5 15	2.08 3.47 4.17	5.35 5 4.7	53 64 65	1450	0.55	2.0	**
153	65- 125A 65- 50- 125A	11.2	3.11	4	62	1450	0.55	2.0	**
154	65- 160 65- 50- 160	7.5 12.5 15	2.08 3.47 4.17	8.8 8.0 7.2	50 60 60	1450	0.75	2.0	**
155	65- 160A 65- 50- 160A	11.7	3.25	7	58	1450	0.55	2.0	**
156	65- 160B 65- 50- 160B	10.8	3.01	6	55	1450	0.55	2.0	**
157	65- 200 65- 40- 200	7.5 12.5 15	2.08 3.47 4.17	13.2 12.5 11.8	43 55 57	1450	1.1	2.0	**
158	65- 200A 65- 40- 200A	11.7	3.25	11	53	1450	0.75	2.0	**
159	65- 200B 65- 40- 200B	10	2.78	8.5	51	1450	0.55	2.5	**
160	65- 250 65- 40- 250	7.5 12.5 15	2.08 3.47 4.17	21 20 19.4	35 46 48	1450	2.2	2.0	**
161	65- 250A 65- 40- 250A	11.7	3.25	17.5	43	1450	1.5	2.0	**
162	65- 250B 65- 40- 250B	10	2.78	13.5	41	1450	1.1	2.5	**
163	65- 315 65- 40- 315	7.5 12.5 15	2.08 3.47 4.17	32.3 32 31.7	25 37 41	1450	4	2.5	**
164	65- 315A 65- 40- 315A	11.9	3.32	28.5	36	1450	3	2.5	**
165	65- 315B 65- 40- 315B	10.7	2.97	23	35	1450	2.2	2.5	**
166	80- 125 80- 65- 125	15 25 30	4.17 6.94 8.33	5.6 5 4.5	55 71 72	1450	0.75	2.5	**
167	80- 125A 80- 65- 125A	22.4	6.22	4	68	1450	0.55	2.5	**
168	80- 160 80- 65- 160	15 25 30	4.17 6.94 8.33	9 8 7.2	55 69 68	1450	1.5	2.5	**
169	80- 160A 80- 65- 160A	23.4	6.5	7	67	1450	1.1	2.5	**
170	80- 160B 80- 65- 160B	21.7	6.3	6	65	1450	0.75	2.5	**

IS、ISR、IH、ISG、ISGB、ISW、ISWR、ISZ、ISZR

NO	Model	Q Capacity		Head (m)	Eff (%)	Speed (r/min)	Power (kW)	(NPSH) _r (m)	
		(m ³ /h)	(L/s)						
171	80-200 80-50-200	15 25 30	4.17 6.94 8.33	13.2 12.5 11.8	51 65 67	1450	2.2	2.5	**
172	80-200A 80-50-200A	23.4	6.5	11	62	1450	1.5	2.5	**
173	80-200B 80-50-200B	21	5.83	8.8	58	1450	1.1	2.5	**
174	80-250 80-50-250	15 25 30	4.17 6.94 8.33	21 20 18.3	49 60 61	1450	3	2.5	**
175	80-250A 80-50-250A	23.4	6.5	17.5	58	1450	2.2	2.5	**
176	80-250B 80-50-250B	20	5.6	13.5	58	1450	1.5	2.5	**
177	80-315 80-50-315	15 25 30	4.17 6.94 8.33	32.5 32 31.5	39 52 56	1450	5.5	2.5	**
178	80-315A 80-50-315A	22	6.1	24	48	1450	4.0	2.5	**
179	80-315B 80-50-315B	20	5.56	21.5	46	1450	3.0	2.5	**
180	100-125 100-80-125	30 50 60	8.33 13.9 16.7	6 5 4	64 75 71	1450	1.5	2.5	**
181	100-125A 100-80-125A	44.7	12.42	4	72	1450	1.1	2.5	**
182	100-160 100-80-160	30 50 60	8.33 13.9 16.7	9.2 8.0 6.8	67 75 71	1450	2.2	2.5	**
183	100-160A 100-80-160A	46.8	13	7	74	1450	1.5	2.5	**
184	100-160B 100-80-160B	41	11.38	5.5	68	1450	1.1	3.0	**
185	100-200 100-65-200	30 50 60	8.33 13.9 16.7	13.5 12.5 11.8	60 73 74	1450	4	2.5	**
186	100-200A 100-65-200A	46.8	13	11	71	1450	3	2.5	**
187	100-200B 100-65-200B	43.3	12.03	9.5	70	1450	2.2	3.0	**
188	100-250 100-65-250	30 50 60	8.33 13.9 16.7	21.5 20 19	55 68 70	1450	5.5	2.5	**
189	100-250A 100-65-250A	46.8	13	17.5	67	1450	5.5	2.5	**

"**"

"***"

NO	Model	Q Capacity		Head (m)	Eff (%)	Speed (r/min)	Power (kW)	(NPSH) _r (m)	
		(m ³ /h)	(L/s)						
190	100-250B 100-65-250B	40	11.1	14	64	1450	4.0	3.0	**
191	100-315 100-65-315	30 50 60	8.33 13.9 16.7	34 32 30	51 63 64	1450	11	2.5	**
192	100-315A 100-65-315A	47.7	13.25	28.5	61	1450	7.5	2.5	**
193	100-315B 100-65-315B	42.9	11.9	23	59	1450	5.5	3.0	**
194	125-200 125-100-200	60 100 120	16.7 27.8 33.3	14.5 12.5 11	62 76 75	1450	7.5	2.5	**
195	125-200A 125-100-200A	93.5	26	11	75	1450	5.5	2.5	**
196	125-200B 125-100-200B	86.5	24.1	9.5	72	1450	4.0	3.0	**
197	125-250 125-100-250	60 100 120	16.7 27.8 33.3	21.5 20 18.5	63 76 77	1450	11	2.5	**
198	125-250A 125-100-250A	93.5	26	17.5	74	1450	7.5	2.5	**
199	125-250B 125-100-250B	86.5	24.1	15	73	1450	5.5	3.0	**
200	125-315 125-100-315	60 100 120	16.7 27.8 33.3	33.5 32 30.5	58 73 74	1450	15	2.5	**
201	125-315A 125-100-315A	90.8	25.2	25.8	70	1450	11	2.5	**
202	125-315B 125-100-315B	76	21.1	20	67	1450	7.5	3.0	**
203	125-400 125-100-400	60 100 120	16.7 27.8 33.3	52 50 48.5	53 65 67	1450	30	2.5	**
204	125-400A 125-100-400A	93.5	26	44	62	1450	22	3.0	**
205	125-400B 125-100-400B	86.5	24	38	60	1450	18.5	3.5	**
206	200-360	162 270 324	45 75 90	48.5 45 39	80	1450	55	5.0	*
207	200-360A	156 260 312	43.3 72.2 86.7	43 41 36	78	1450	45	5.0	*
208	200-360B	147 245 294	40.8 68 81.6	38 36 32	77	1450	37	5.0	*

WQ

产品概述

WQ

ABS

WQ

WL

WY

产品特点

- : ()
- :
- :
- :

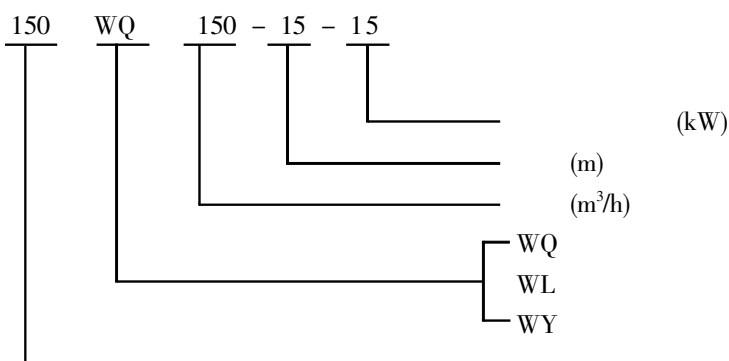
主要用途

- 1
- 2
- 3
- 4
- 5
- 6
- 7
- 8

使用条件

- | | | |
|-----|------|--------------------------|
| 1 | 60°C | 1.3kg/dm ³ pH |
| 5~9 | | |
| 2 | | 1/2 |
| 3 | | |

型号意义



WQ

WQ

		(mm)	(m ³ /h)	(m)	(r/min)	η	(kW)	kg
1	50WQ15- 7- 1.1	50	15	7	2840	62.0	1.1	50
2	50WQ7- 15- 1.1	50	7	15	2840	60.0	1.1	50
3	50WQ18- 15- 1.5	50	18	15	2840	63.1	1.5	61
4	50WQ15- 15- 2.2	50	15	15	2840	67.8	2.2	63
5	50WQ9- 22- 2.2	50	9	22	2840	58.7	2.2	71
6	50WQ25- 15- 3	50	25	15	2840	64.6	3	73
7	50WQ15- 30- 3	50	15	30	2840	63.0	3	71
8	50WQ20- 25- 4	50	20	25	2900	56.5	4	122
9	50WQ40- 15- 4	50	40	15	2900	68.0	4	124
10	50WQ15- 40- 5.5	50	15	40	2900	54.5	5.5	191
11	50WQ30- 30- 7.5	50	30	30	2900	62.5	7.5	201
12	80WQ50- 10- 4	80	50	10	2900	62.0	4	126
13	80WQ65- 15- 5.5	80	65	15	2900	72.4	5.5	122
14	80WQ45- 22- 7.5	80	45	22	1430	75.7	7.5	128
15	100WQ100- 10- 7.5	100	100	10	1440	71.8	7.5	131
16	100WQ100- 7- 4	100	100	7	1440	73.3	4	133
17	100WQ30- 22- 5.5	100	30	22	1440	57.7	5.5	191
18	100WQ65- 15- 5.5	100	65	15	1440	71.7	5.5	193
19	100WQ120- 10- 7.5	100	120	10	1440	75.9	5.5	180
20	100WQ50- 22- 7.5	100	50	22	1440	62.3	7.5	160
21	100WQ145- 10- 7.5	100	50	10	1440	78.2	7.5	170
22	100WQ50- 35- 11	100	50	35	1460	62.3	11	296
23	100WQ70- 22- 11	100	70	22	1460	66.0	11	294
24	100WQ87- 28- 15	100	87	28	1460	69.4	15	361
25	100WQ100- 22- 15	100	100	22	1460	72.2	15	320
26	150WQ140- 7- 7.5	150	140	7	1440	74.3	7.5	191
27	150WQ210- 7- 7.5	150	210	7	1440	76.3	7.5	209
28	150WQ110- 15- 11	150	110	15	1460	75.1	11	260
29	150WQ140- 18- 15	150	140	18	1460	73.0	15	260
30	150WQ150- 15- 15	150	150	15	1460	74.0	15	251

WQ

		(mm)	(m ³ /h)	(m)	(r/min)	η	(kW)	kg
31	150WQ200- 10- 15	150	200	10	1460	79.7	15	361
32	150WQ70- 40- 18.5	150	70	40	1470	56.0	18.5	521
33	150WQ200- 14- 18.5	150	200	14	1470	68.6	18.5	523
34	150WQ130- 30- 22	150	130	30	970	67.1	22	521
35	150WQ150- 22- 22	150	150	22	970	73.07	22	821
36	150WQ100- 40- 30	150	100	40	980	60.4	30	903
37	150WQ200- 22- 30	150	200	22	980	73.8	30	901
38	150WQ250- 22- 30	150	250	22	980	73.5	30	820
39	150WQ140- 45- 37	150	140	45	980	63.4	37	1103
40	150WQ200- 30- 37	150	200	30	980	71.0	37	1050
41	150WQ150- 56- 55	150	150	56	980	68.9	55	1207
42	200WQ360- 6- 11	200	360	6	1460	72.7	11	291
43	200WQ400- 7- 15	200	400	7	970	78.0	15	361
44	200WQ250- 15- 18.5	200	250	15	1470	77.5	18.5	521
45	200WQ300- 10- 18.5	200	300	10	970	81.5	18.5	521
46	200WQ400- 10- 22	200	400	10	970	80.0	22	821
47	200WQ360- 15- 30	200	360	15	980	80.0	30	901
48	200WQ350- 20- 37	200	350	20	980	78.1	37	1106
49	200WQ250- 35- 45	200	250	35	980	71.6	45	1406
50	200WQ400- 24- 45	200	400	24	980	77.8	45	1403
51	200WQ250- 40- 55	200	250	40	980	70.9	55	1286
52	200WQ350- 50- 75	200	350	50	990	73.9	75	1426
53	250WQ250- 17- 22	250	250	17	970	80.0	22	821
54	250WQ600- 7- 22	250	600	7	970	83.8	22	823
55	250WQ500- 10- 30	250	500	10	980	78.6	30	901
56	250WQ700- 11- 37	250	700	11	980	80.3	37	1156
57	250WQ600- 15- 45	250	600	15	980	79.3	45	1460
58	250WQ600- 20- 55	250	600	20	980	80.8	55	1353
59	250WQ600- 25- 75	250	600	25	990	80.9	75	1519
60	250WQ600- 30- 90	250	600	30	990	78.9	90	1863

WQ

		(mm)	(m ³ /h)	(m)	(r/min)	η	(kW)	kg
61	250WQ600-40-111	250	600	40	990	67.8	110	2306
62	250WQ700-33-110	250	700	33	990	97.3	110	2303
63	300WQ720-6-22	300	720	6	970	74.3	22	821
64	300WQ900-8-37	300	900	8	980	84.8	37	1153
65	300WQ800-15-55	300	800	15	980	82.0	55	1356
66	300WQ950-24-110	300	950	24	990	82.2	110	2306
67	350WQ1440-5.5-37	350	1440	5.5	980	76.0	37	1250
68	350WQ1100-10-55	350	1100	10	980	81.0	55	1380
69	350WQ1200-18-90	350	1200	18	990	82.8	90	2006
70	350WQ1000-28-132	350	1000	28	745	83.5	132	2836
71	350WQ1000-36-160	350	1000	36	745	78.9	160	3153
72	400WQ1250-5-30	400	1250	5	980	79.2	30	63
73	400WQ1692-7.25-55	400	1692	7.25	740	76.0	55	1353
74	400WQ1500-10-75	400	1500	10	990	81.3	75	1676
75	400WQ2016-7.25-75	400	2016	7.25	740	76.5	75	1703
76	400WQ2000-15-132	400	2000	15	745	80.0	132	2906
77	400WQ1500-26-160	400	1500	26	745	82.4	160	3206
78	400WQ1700-22-160	400	1700	22	745	82.0	160	3203
79	400WQ1800-32-250	400	1800	32	740	82.3	250	4693
80	400WQ1800-38-280	400	1800	38	980	82.0	280	5250
81	450WQ2200-10-110	450	2200	10	990	82.0	110	2306
82	500WQ2600-15-160	500	2600	15	745	86.3	160	3216
83	500WQ2400-22-220	500	2400	22	740	83.3	220	4283
84	500WQ2650-24-250	500	2650	24	740	82.3	250	4693
85	550WQ3500-7-110	550	3500	7	740	77.8	110	2306
86	550WQ3000-12-160	550	3000	12	745	86.3	160	3256
87	550WQ3000-16-200	550	3000	16	745	82.0	200	3853
88	600WQ3500-12-185	600	3500	12	745	82.0	185	3426
89	600WQ3750-17-250	600	3750	17	740	87.0	250	4696
90	600WQ3000-25-315	600	3000	25	740	84.0	315	5910

QJ

产品概述

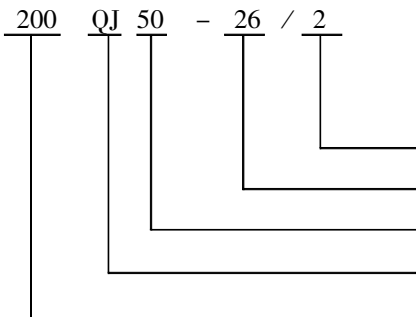
QJ

GB/T2817-91 GB/T2818-91

性能范围

5-140m³/h
18-320m

型号意义



主要用途

QJ

QJ

Model	m ³ /h	m	r/min	kW	%	mm	mm			
150QJ5-100/14	4 5 6	105 100 92	2850	3	60	150	143			
150QJ5-150/21	4 5 6	158 150 139		4						
150QJ5-200/28	4 5 6	210 200 185		5.5						
150QJ5-250/35	4 5 6	263 250 231		7.5						
150QJ5-300/42	4 5 6	315 300 277		9.2						
150QJ10-50/7	7.5 10 12	56 50 42		3				64	150	143
150QJ10-100/14	7.5 10 12	112 100 84		5.5						
150QJ10-150/21	7.5 10 12	168 150 126		7.5						
150QJ10-200/28	7.5 10 12	224 200 168		11						

Model	m ³ /h	m	r/min	kW	%	mm	mm
150QJ10-250/35	7.5 10 12	280 250 210	2850	13	65	150	143
150QJ10-300/42	7.5 10 12	336 300 252		15			
150QJ20-26/4	14 20 24	30 26 21		3			
150QJ20-33/5	14 20 24	38 33 27		3			
150QJ20-39/6	14 20 24	45 39 32		4			
150QJ20-52/8	14 20 24	60 52 42		5.5			
150QJ20-72/11	14 20 24	83 72 58		7.5			
150QJ20-78/12	14 20 24	90 78 64		7.5			
150QJ20-85/13	14 20 24	98 85 69		9.2			

Model	m ³ /h	m	r/min	kW	%	mm	mm				
150QJ20-98/15	14 20 24	113 98 80	2850	9.2	65	150	143				
150QJ20-104/16	14 20 24	120 104 85		11							
150QJ20-111/17	14 20 24	128 111 90		11							
150QJ20-137/21	14 20 24	158 137 111		15							
150QJ20-143/22	14 20 24	165 143 117		15							
150QJ20-156/24	14 20 24	180 156 127		15							
150QJ20-176/27	14 20 24	203 176 143		18.5							
150QJ20-182/28	14 20 24	210 182 148		18.5							
150QJ32-18/3	22 32 38	23 18 12		3				66	150	143	65

Model	m³/h	m	r/min	kW	%	mm	mm	Model	m³/h	m	r/min	kW	%	mm	mm	Model	m³/h	m	r/min	kW	%	mm	mm		
150QJ32-24/4	22 32 38	30 24 16		4				175QJ25-65/5	20 25 30	68.5 65 59.5		7.5				175QJ40-96/8	30 40 50	110.4 96 69.6		18.5					
150QJ32-30/5	22 32 38	38 30 20		5.5				175QJ25-78/6	20 25 30	82.2 78 71.4		9.2				175QJ40-120/10	30 40 50	138 120 87	2850	22	70	175	168	65	
150QJ32-36/6	22 32 38	45 36 24		5.5				175QJ25-91/7	20 25 30	95.9 91 83.3		11				175QJ40-132/11	30 40 50	151.8 132 95.7		25					
150QJ32-36/7	22 32 38	53 42 28		7.5				175QJ25-104/8	20 25 30	109.6 104 95.2		13		67	175	168	50	175QJ50-24/2	35 40 60	29.6 24 18.4		5.5			
150QJ32-54/9	22 32 38	68 54 36		9.2				175QJ25-130/10	20 25 30	137 130 119		15				175QJ50-36/3	35 40 60	44.4 36 27.6		9.2					
150QJ32-66/11	22 32 38	83 66 44	2850	11	66	150	143	65	175QJ25-156/12	20 25 30	164.4 156 142.8		18.5				175QJ50-48/4	35 40 60	59.2 48 36.8		11				
150QJ32-72/12	22 32 38	90 72 48		13				175QJ25-182/14	20 25 30	191.8 182 166.6		22				175QJ50-60/5	35 40 60	74 60 46	2850	13	72	175	168	75	
150QJ32-84/14	22 32 38	105 84 56		13				175QJ25-208/16	20 25 30	219.2 208 190.4		25				175QJ50-84/7	35 40 60	103.6 84 64.4		18.5					
150QJ32-90/15	22 32 38	113 90 60		15				175QJ32-24/2	22 32 39	26.6 24 21.4		4				175QJ50-96/8	35 40 60	118.4 96 73.6		22					
150QJ32-96/16	22 32 38	120 96 64		15				175QJ32-36/3	22 32 39	39.9 36 32.1		5.5				175QJ50-108/9	35 40 60	133.2 108 82.8		25					
150QJ32-108/18	22 32 38	135 108 72		18.5				175QJ32-48/4	22 32 39	53.2 48 42.8		7.5				2000J20-40/3	14 20 24	43.3 40 36.3		4					
175QJ20-26/2	14 20 24	29 26 23		3				175QJ32-60/5	22 32 39	66.5 60 53.5	2850	9.2				2000J20-54/4	14 20 24	60.4 54 48.4		5.5					
175QJ20-39/3	14 20 24	43.5 39 34.5		4				175QJ32-72/6	22 32 39	79.8 72 64.2		11		68	175	168	65	2000J20-81/6	14 20 24	90.6 81 72.6		7.5			
175QJ20-52/4	14 20 24	58 52 46		5.5				175QJ32-84/7	22 32 39	93.1 84 74.9		13				2000J20-93/7	14 20 24	105.7 93 84.7		9.2					
175QJ20-78/6	14 20 24	87 78 69		7.5				175QJ32-96/8	22 32 39	106.4 96 85.6		15				2000J20-108/8	14 20 24	120.8 108 96.8		11					
175QJ20-91/7	14 20 24	101.5 91 80.5		9.2				175QJ32-120/10	22 32 39	133 120 107		18.5				2000J20-121/9	14 20 24	135.9 121 108.9	2850	13	67	200	184	50	
175QJ20-104/8	14 20 24	116 104 92		11	66	175	168	50	175QJ32-144/12	22 32 39	159.6 144 128.4		22				2000J20-148/11	14 20 24	166.1 148 133.1		15				
175QJ20-130/10	14 20 24	145 130 115	2850	13				175QJ32-168/14	22 32 39	186.2 168 149.8		25				2000J20-175/13	14 20 24	196.3 175 157.3		18.5					
175QJ20-156/12	14 20 24	174 156 138		15				175QJ40-24/2	30 40 50	27.6 24 17.4		5.5				2000J20-202/15	14 20 24	226.5 202 181.5		22					
175QJ20-182/14	14 20 24	203 182 161		18.5				175QJ40-36/3	30 40 50	41.4 36 26.1		7.5				2000J20-243/18	14 20 24	271.8 243 217.8		25					
175QJ20-208/16	14 20 24	232 208 184		22				175QJ40-48/4	30 40 50	55.2 48 34.8		9.2				2000J20-270/20	14 20 24	302 270 242		30					
175QJ20-247/19	14 20 24	275.5 247 218.5		25				175QJ40-60/5	30 40 50	69 60 43.5		11		70	175	168	65	2000J25-28/2	18 25 30	30 28 26		4			
175QJ25-26/2	20 25 30	27.4 26 23.8		3	67	175	168	50	175QJ40-72/6	30 40 50	82.8 72 52.2		13				2000J25-42/3	18 25 30	45 42 39	2850	5.5	69	200	184	65
175QJ25-39/3	20 25 30	41.1 39 35.7		5.5				175QJ40-84/7	30 40 50	96.6 84 60.9		15				2000J25-56/4	18 25 30	60 56 52		7.5					

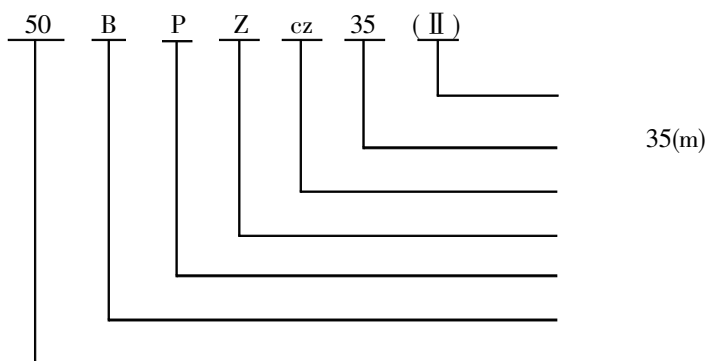
Model	m³/h	m	r/min	kW	%	mm	mm	Model	m³/h	m	r/min	kW	%	mm	mm	Model	m³/h	m	r/min	kW	%	mm	mm	
200QJ25-70/5	18 25 30	75 70 65		9.2				200QJ40-78/6	30 40 50	90 78 60		15				200QJ80-33/3	56 80 96	42.6 38 25.5		11				
200QJ25-98/7	18 25 30	105 98 91		11				200QJ40-104/8	30 40 50	120 104 80		18.5				200QJ80-44/2	56 80 96	56.28 44 34		15				
200QJ25-112/8	18 25 30	120 112 104		13				200QJ40-117/9	30 40 50	135 117 90	2850	22	72	200	184	65	200QJ80-55/5	56 80 96	71 55 42.5		18.5			
200QJ25-126/9	18 25 30	135 126 117		15				200QJ40-143/11	30 40 50	165 143 110		25				200QJ80-66/6	56 80 96	85.2 66 51	2850	22	75	200	184	100
200QJ25-154/11	18 25 30	165 154 143	2850	18.5	69	200	184	65	200QJ40-169/13	30 40 50	195 169 130		30			200QJ80-88/8	56 80 96	113.6 88 68		30				
200QJ25-182/13	18 25 30	195 182 169		22				200QJ40-208/16	30 40 50	240 208 160		37				200QJ80-99/9	56 80 96	127.8 99 76.5		37				
200QJ25-210/15	18 25 30	225 210 195		25				200QJ50-26/2	35 50 60	31.6 26 20.6		5.5				200QJ80-121/11	56 80 96	156.2 121 93.5		45				
200QJ25-252/18	18 25 30	270 252 234		30				200QJ50-39/3	35 50 60	47.4 39 30.9		9.2				250QJ50-20/1	35 50 60	22.8 20 18.2		5.5				
200QJ25-308/22	18 25 30	330 308 286		37				200QJ50-52/4	35 50 60	60 52 41.2		11				250QJ50-40/2	35 50 60	45.6 40 36.4		9.2				
200QJ32-26/2	22.4 32 38.4	28.6 26 23.8		4				200QJ50-65/5	35 50 60	79 65 51.5		15				250QJ50-60/3	35 50 60	68.4 60 54.6		13				
200QJ32-39/3	22.4 32 38.4	42.9 39 35.7		5.5				200QJ50-78/6	35 50 60	94.8 78 61.8	2850	18.5	74	200	184	75	250QJ50-80/4	35 50 60	91.2 80 72.8		18.5			
200QJ32-52/4	22.4 32 38.4	57.2 52 47.6		7.5				200QJ50-91/7	35 50 60	110.6 91 72.1		22				250QJ50-100/5	35 50 60	114 100 91		22				
200QJ32-78/6	22.4 32 38.4	85.8 78 71.4		11				200QJ50-104/8	35 50 60	126.4 104 82.4		25				250QJ50-120/6	35 50 60	136.8 120 109.2	2875	25	73	250	233	75
200QJ32-91/7	22.4 32 38.4	100.1 91 83.3		13				200QJ50-130/10	35 50 60	158 130 103		30				250QJ50-140/7	35 50 60	159.6 140 127.4		30				
200QJ32-104/8	22.4 32 38.4	114.4 104 95.2	2850	15	70	200	184	65	200QJ50-156/12	35 50 60	189.6 156 123.6		37			250QJ50-160/8	35 50 60	182.4 160 145.6		37				
200QJ32-130/10	22.4 32 38.4	143 130 119		18.5				200QJ63-24/2	45 63 75	29 24 18.6		7.5				250QJ50-200/10	35 50 60	228 200 182		45				
200QJ32-143/11	22.4 32 38.4	157.3 143 130.9		22				200QJ63-36/3	45 63 75	43.5 36 27.9		11				250QJ50-240/12	35 50 60	273.6 240 218.4		55				
200QJ32-169/13	22.4 32 38.4	185.9 169 154.7		25				200QJ63-60/5	45 63 75	72.5 60 46.5		18.5				250QJ50-280/14	35 50 60	319.2 280 254.8		63				
200QJ32-195/15	22.4 32 38.4	214.5 195 178.5		30				200QJ63-72/6	45 63 75	87 72 55.8	2850	22	74	200	184	100	250QJ50-320/16	35 50 60	364.8 320 291.2		75			
200QJ32-247/19	22.4 32 38.4	271.5 247 226.1		37				200QJ63-84/7	45 63 75	101.5 84 65.1		25				250QJ80-20/1	56 80 96	23 20 17.7		7.5				
200QJ40-26/2	30 40 50	30 26 20		5.5				200QJ63-96/8	45 63 75	116 96 74.4		30				250QJ80-40/2	56 80 96	46 40 35.4		15				
200QJ40-39/3	30 40 50	45 39 30	2850	7.5	72	200	184	65	200QJ63-120/10	45 63 75	145 120 93		37			250QJ80-60/3	56 80 96	69 60 53.1	2875	22	75	250	233	100
200QJ40-52/4	30 40 50	60 52 40		9.2				200QJ63-144/12	45 63 75	174 144 111.6		45				250QJ80-80/4	56 80 96	92 80 70.8		30				
200QJ40-65/5	30 40 50	75 65 50		11				200QJ80-22/2	56 80 96	28.4 22 17	2850	7.5	75	200	184	100	250QJ80-100/5	56 80 96	115 100 88.5		37			

产品概述

BPZ
BPZ

80℃

型号意义



Model	m ³ /h	m	m	kW/hp	r/min	
50BPZ-35	14	35	8	4/6	2900	
50BPZcz-35	15	35	8	3/5	2600	
50BPZ-40	22	40	8	4/6	3100	
50BPZcz-40	22	40	8	4/6	3100	
50BPZ-45	15	45	7	5.5/6	2600	
50BPZcz-45	15	45	7	5.5/6	2600	
50BPZ-45 I	22	45	7	5.5/6	2600	
50BPZcz-45 I	22	45	7	5.5/6	2600	
50BPZ-45 II	22	45	7	5.5/6	2600	
50BPZcz-45 II	22	45	7	5.5/6	2600	
65BPZ-45 I	30	45	7	7.5/8	2600	
65BPZ-45 II	30	45	7	7.5/8	2600	
65BPZca-45 II	30	45	7	7.5/8	2600	
65BPZ-55	24	55	7	11/12	2900	
65BPZ-55 I	35	55	7	11/12	2900	
65BPZ-55 II	35	55	7	11/12	2900	
65BPZcz-55 II	35	55	7	11/12	2900	
65BPZ-55	35	55	7	11/12	2900	
80BPZ-20	50	20	5	5.5/6	2900	
80BPZ-40	48	40	6.5	11/12	2900	
80BPZ-60	50	60	7	15/18	2900	

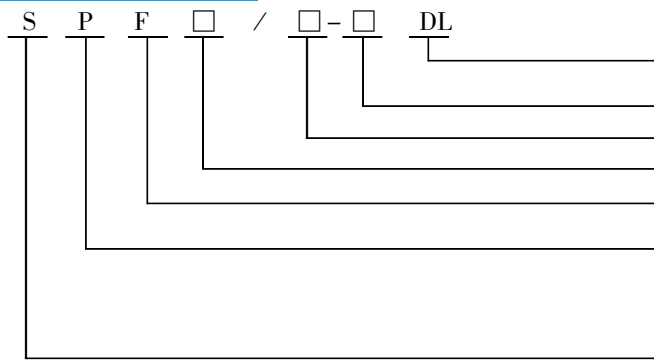
产品概述

S () HBW
K D HS

产品特点

- 1
- 2
- 3
- 4
- 5
- 6
- 7

型号意义



DL LG
G

L/S m³/h
MPa m

P
B

S ()
HBW
HS
K
D

适用范围

- 1
- 2
- 3
- 4
- 5
- 6

工作条件

- 1、环境温度: -10~40℃(主机)
- 2、相对湿度: 20%~90%
- 3、海拔高度: 1000m 以下
- 4、电源: 三相四线制, 380V±10%
- 5、电网频率: 50Hz

主要技术指标

- | | |
|---|-------------------------|
| 1 | 0~5000m ³ /h |
| 2 | 0~1.6MPa |
| 3 | 0.37~250kW |
| 4 | <±0.02MPa |
| 5 | |